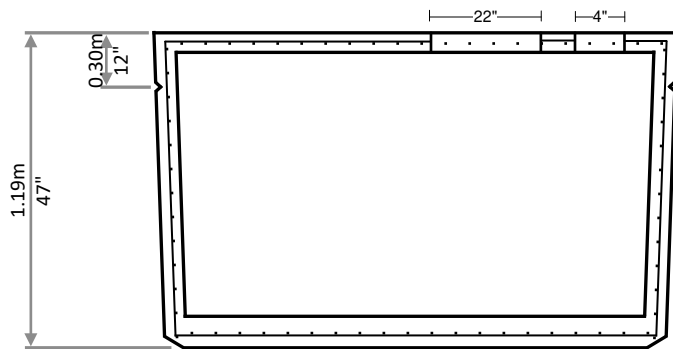


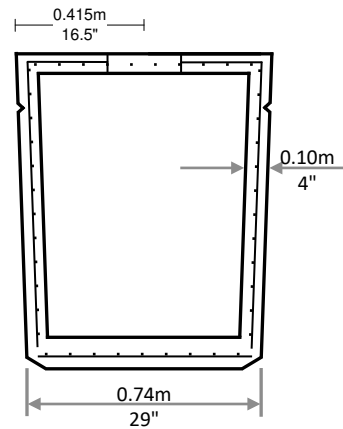
TOP VIEW

Fiber reinforced concrete ,
minimum 32 mpa at 28 days
Fiber: MasterFiber MAC244

WWM 6x6 10/10 (ASTM A185) fir
walls, bottom, and rood. Where
required, min 300mm overlapped
and tied.
Minimum Concrete Coverage
25mm



SIDE VIEW



END VIEW



#100 53251 RR232
Sherwood Park, AB
T8A 4V2

p 780.472.8265
f 780.478.5699
tf 800.661.5667

info@tanks-a-lot.com
www.tanks-a-lot.com

WEIGHT		GROSS/WORKING CAPACITY		EARTH COVER		
2,600 (lbs)		200 / 175 (gal)		N/A		
1,179 (kg)		909 / 796 (l)		N/A		
MODEL 200 1-HOLE TOILET TANK						
LENGTH		WIDTH		HEIGHT		REVISION
5'-1"	1.55m	2'-9"	0.64m	3'-11"	1.19m	3.1