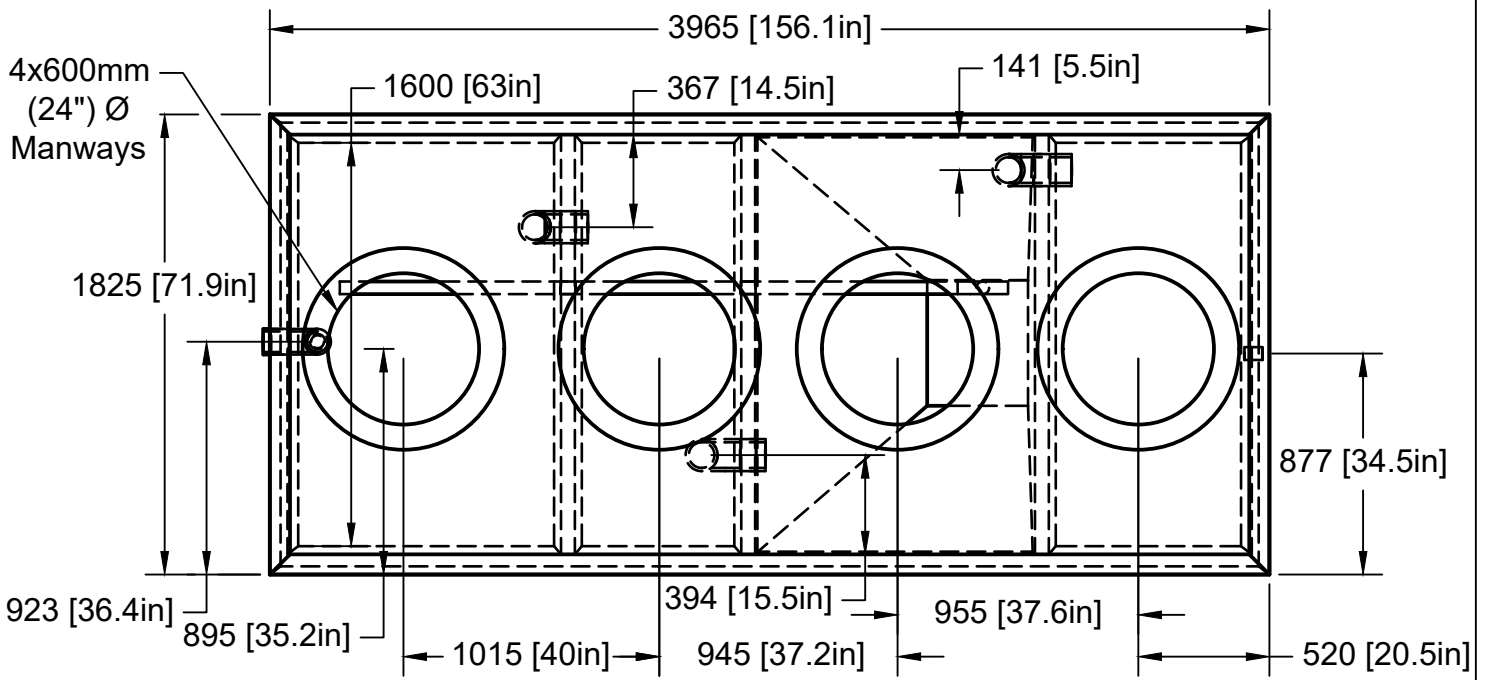
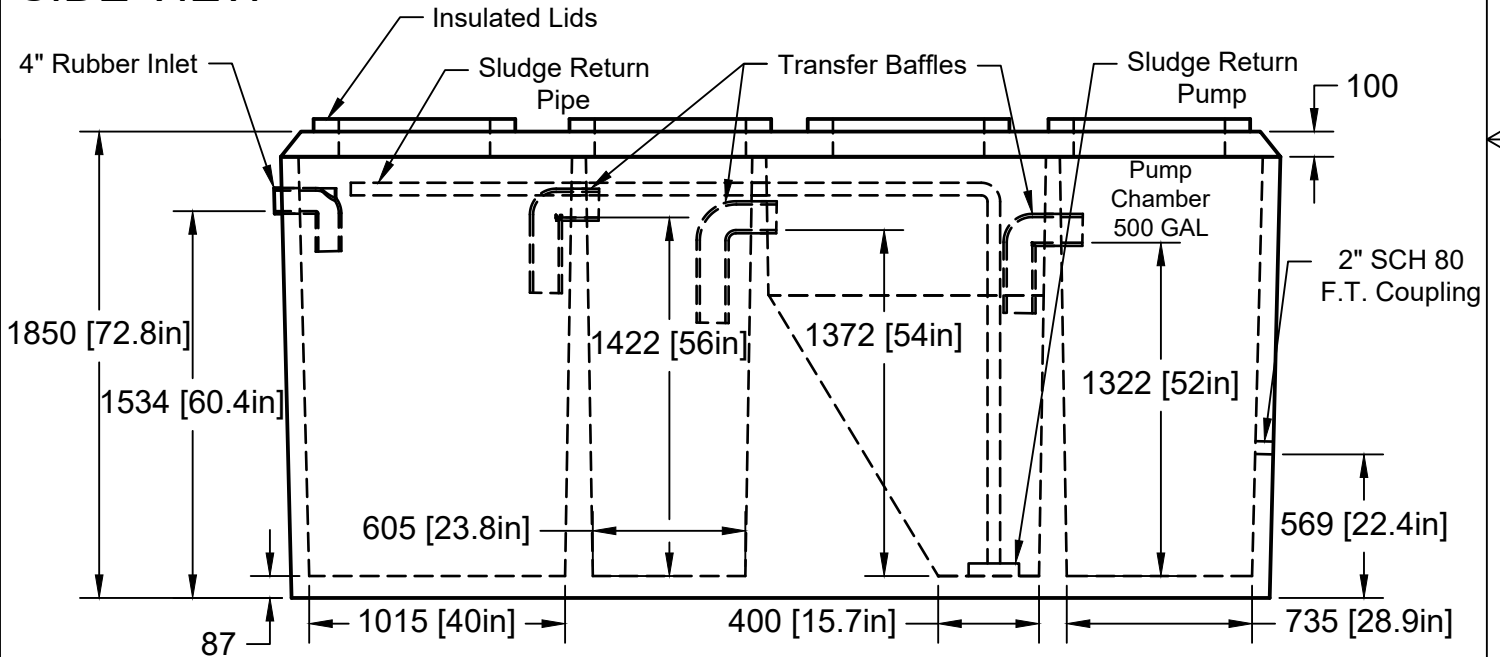


PLAN VIEW


This is a non traffic-rated tank



SIDE VIEW



Date: 11/29/2017



TANKS-A-LOT
onsite water and sewage solutions


Earth Cover: 4'-0" (1.2m)

Sheet Size: A (8.5"x11")

Drawn by: Tristan Nelson

1810 Yellowhead Trail N.E.
Edmonton, AB T6S 1B4

p 780.472.8265
f 780.478.5699
tf 800.661.5667
info@tanks-a-lot.com
www.tanks-a-lot.com

Type	Wastewater Treatment Plant	
Model	WSB2560	
Configuration	1 Piece - 4 Manhole	
Capacity:	2,200gal (10,000L)	
Weight: 16,540lbs (7,500kg)	Revision: 2.0	
Scale: 1:30	Sheet 1/1	