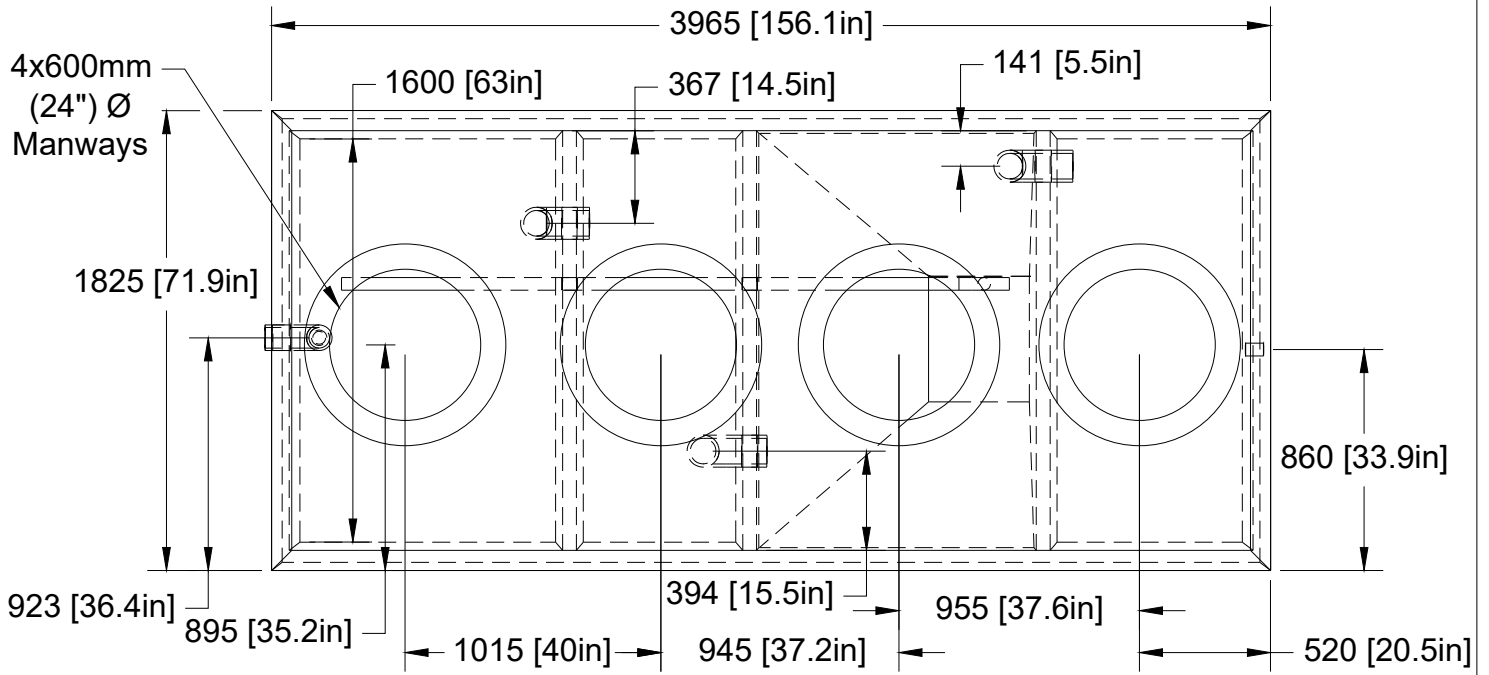
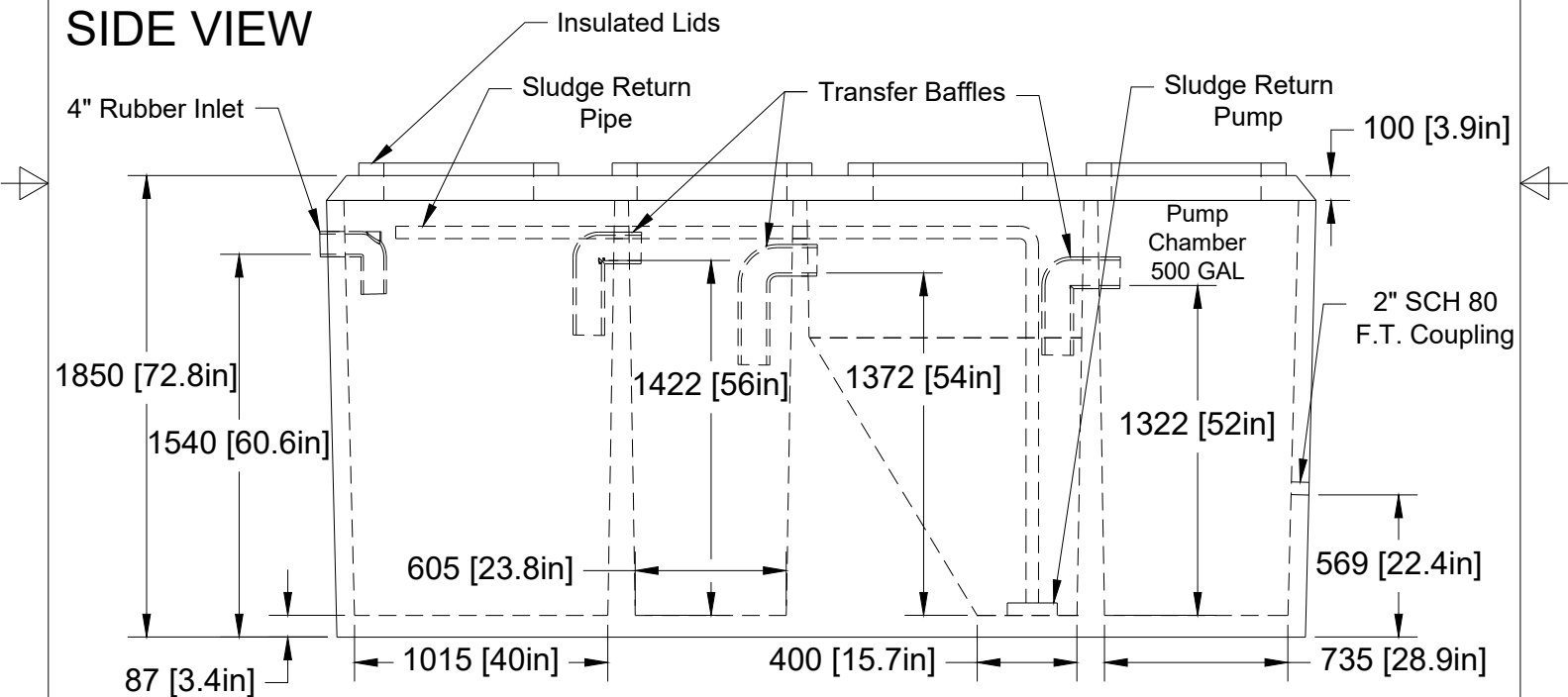




PLAN VIEW

This is a non traffic-rated tank



SIDE VIEW



<p>Date: 11/29/2017</p>	<p>1810 Yellowhead Trail N.E. Edmonton, AB T6S 1B4</p>	<p>Type Wastewater Treatment Plant</p>	
 <p>Earth Cover: Call for Burial Depth</p> <p>Sheet Size: A (8.5"x11")</p> <p>Drawn by: Tristan Nelson</p>	<p>p 780.472.8265 f 780.478.5699 tf 800.661.5667 info@tanks-a-lot.com www.tanks-a-lot.com</p>	<p>Model W2560</p>	
		<p>Configuration 1 Piece - 4 Manhole</p>	
		<p>Capacity: 2,200gal (10,000L)</p>	
		<p>Weight: 16,540lbs (7,500kg)</p>	<p>Revision: 2.0</p> 
<p>Scale: 1:30</p>	<p>Sheet 1/1</p> 