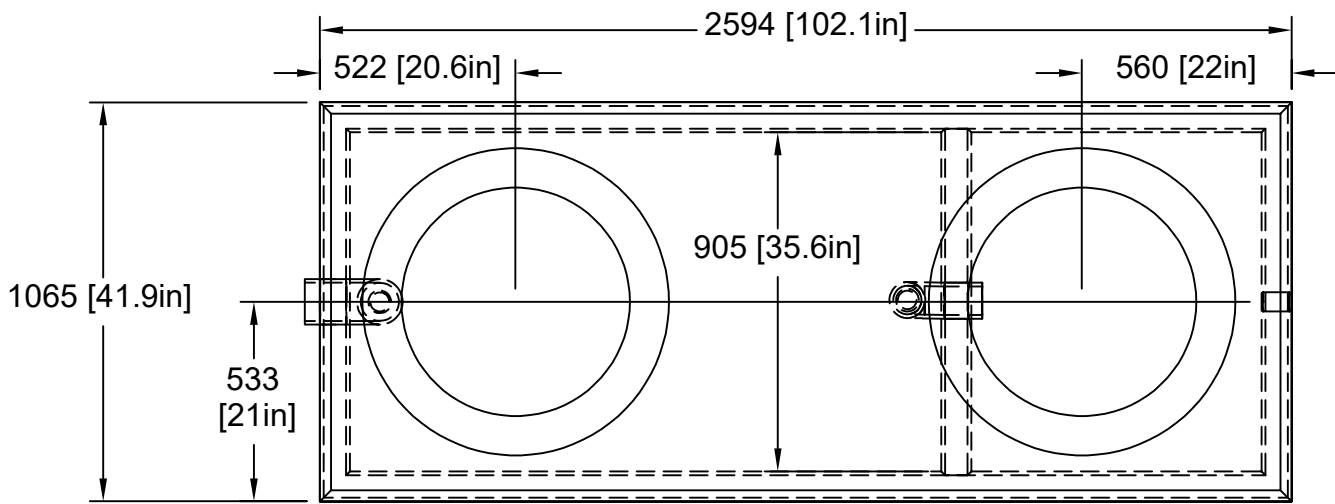
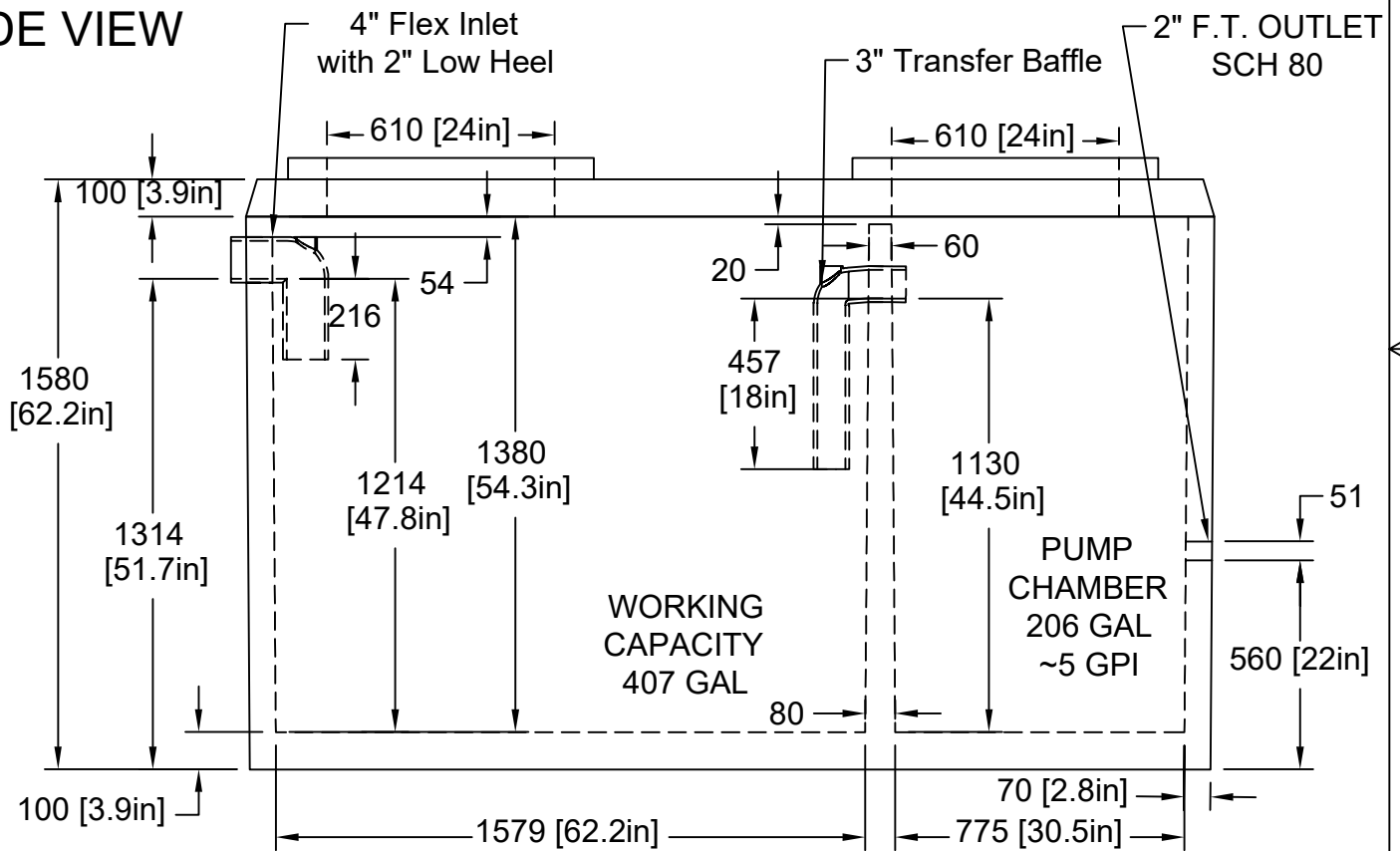



# PLAN VIEW

This is a non traffic-rated tank



# SIDE VIEW



Date: 12/06/2022	#100 53251 Range Road 232 Sherwood Park, AB T8A 4V2	Type Septic Tank		
 <b>TANKS-A-LOT</b> onsite water and sewage solutions		p 780.472.8265 f 780.478.5699 tf 800.661.5667 info@tanks-a-lot.com www.tanks-a-lot.com	Model P0750/2	
			Configuration 1 Piece - 2 Manhole	
			Capacity: 613/407gal (2,787/1,854L)	
Earth Cover: 7'-9" (2.37m)		Weight: 6,000lbs (2.72T)	Revision: 4.0	
Sheet Size: A (8.5"x11")		Scale: 1:20	Sheet 1/1	
Drawn by: Joe Kaup		