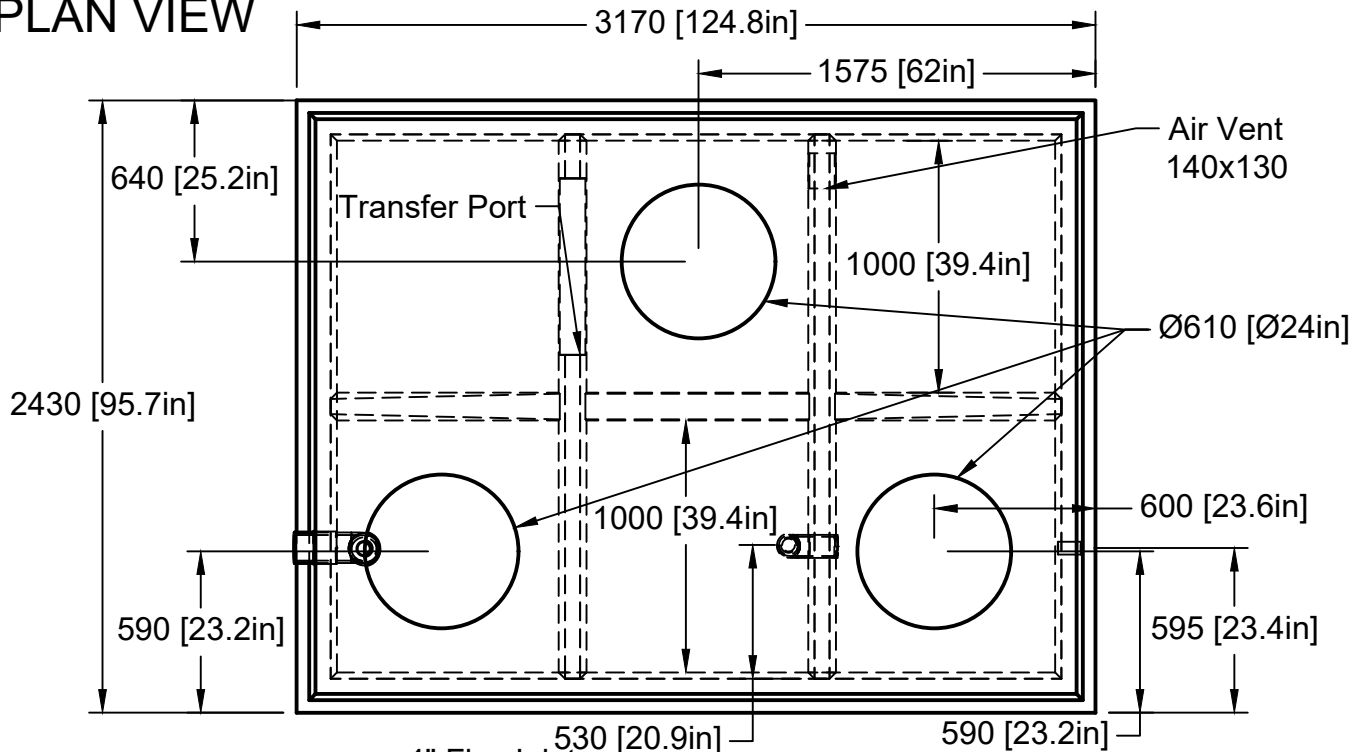
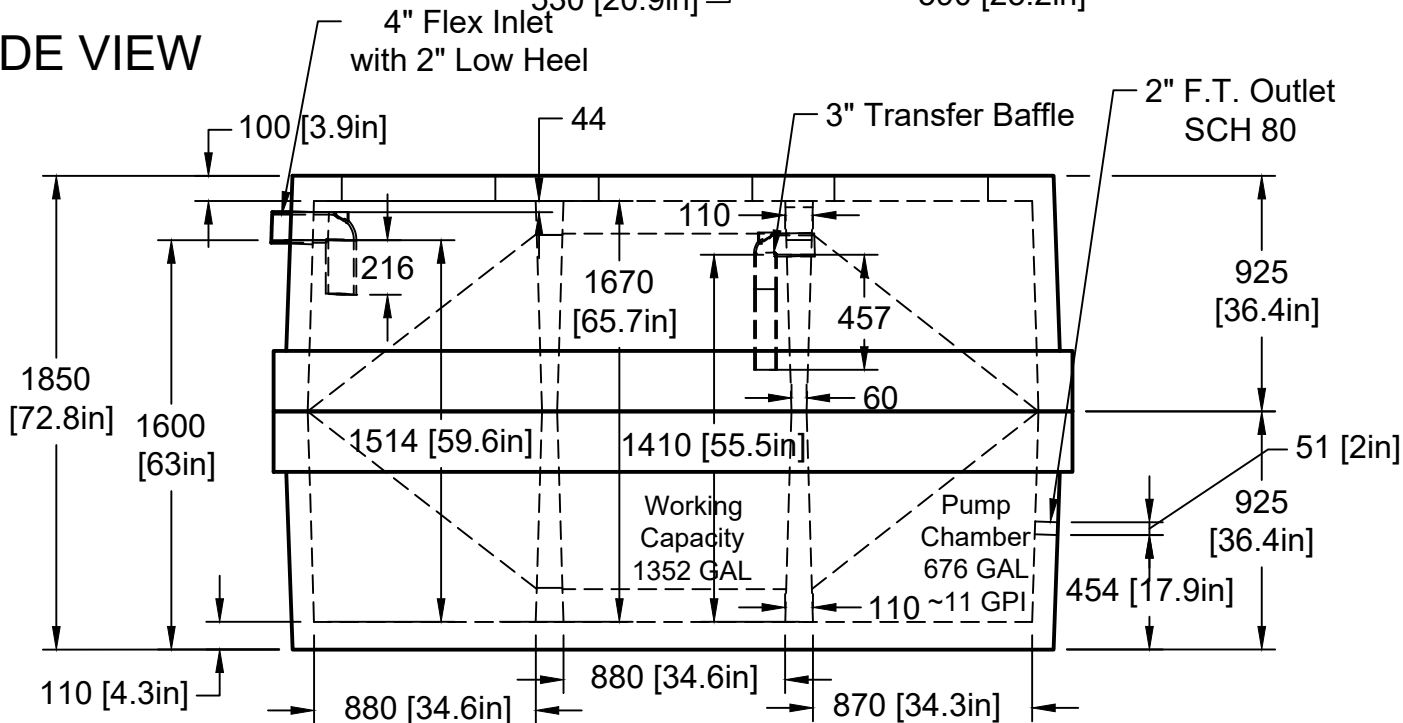




This is a non traffic-rated tank

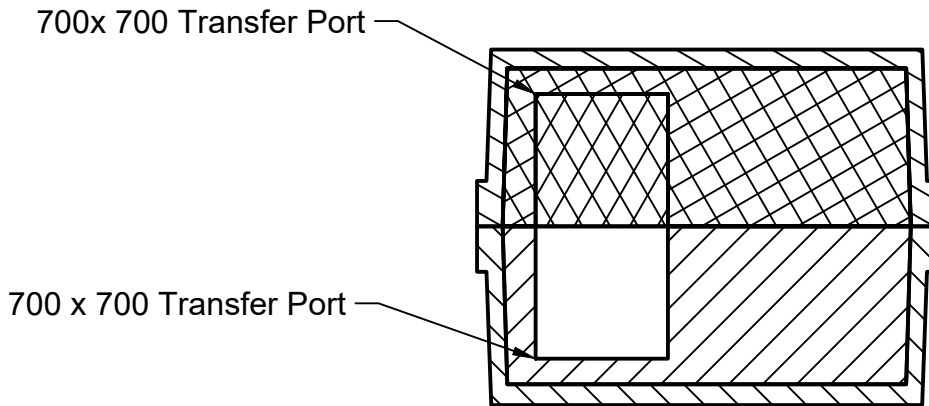
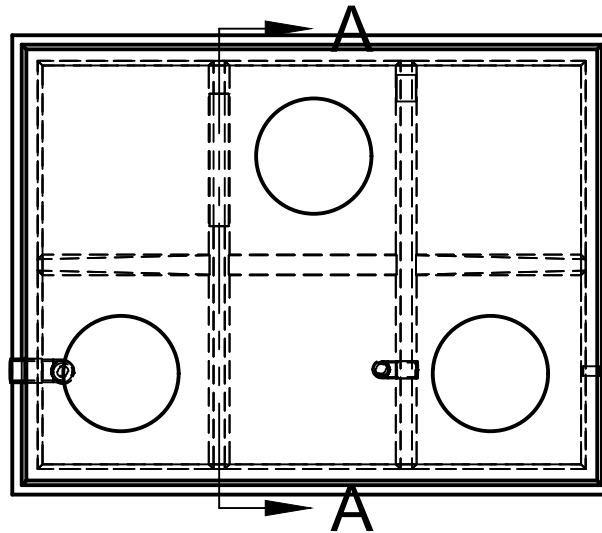
PLAN VIEW



SIDE VIEW



Date: 11/30/2022	#100 53251 Range Road 232 Sherwood Park, AB T8A 4V2	Type Septic Tank	
		Model P2300	
 TANKS-A-LOT onsite water and sewage solutions	p 780.472.8265 f 780.478.5699 tf 800.661.5667 info@tanks-a-lot.com www.tanks-a-lot.com	Configuration 2 Piece - 3 Manhole	
		Capacity: 2,324/1,352gal (10,561/6,150L)	
Earth Cover: 9'-9" (3m)	www.tanks-a-lot.com	Weight: 17,813lbs (8,080kg)	Revision: 3.2
Sheet Size: A (8.5"x11")		Scale: 1:35	Sheet 1/1
Drawn by: Tristan Nelson			



SECTION A-A SCALE 1:40

Date: <p style="text-align: center;">11/30/2022</p>	<p style="text-align: center;">#100 53251 Range Road 232 Sherwood Park, AB T8A 4V2</p>	Type <p style="text-align: center;">Septic Tank</p>			
TANKS-A-LOT <small>onsite water and sewage solutions</small>	<p>p 780.472.8265 f 780.478.5699 tf 800.661.5667 info@tanks-a-lot.com www.tanks-a-lot.com</p>	Model <p style="text-align: center;">P2300</p>			
		Configuration <p style="text-align: center;">2 Piece - 3 Manhole</p>			
		Capacity: 2,324/1,352gal (10,561/6,150L)			
		Earth Cover: 9'-9" (3m)	Weight: 17,813lbs (8,080kg)	Revision: 3.2	
		Sheet Size: A (8.5"x11")	Drawn by: Tristan Nelson	Scale: 1:40	Sheet 1/1

