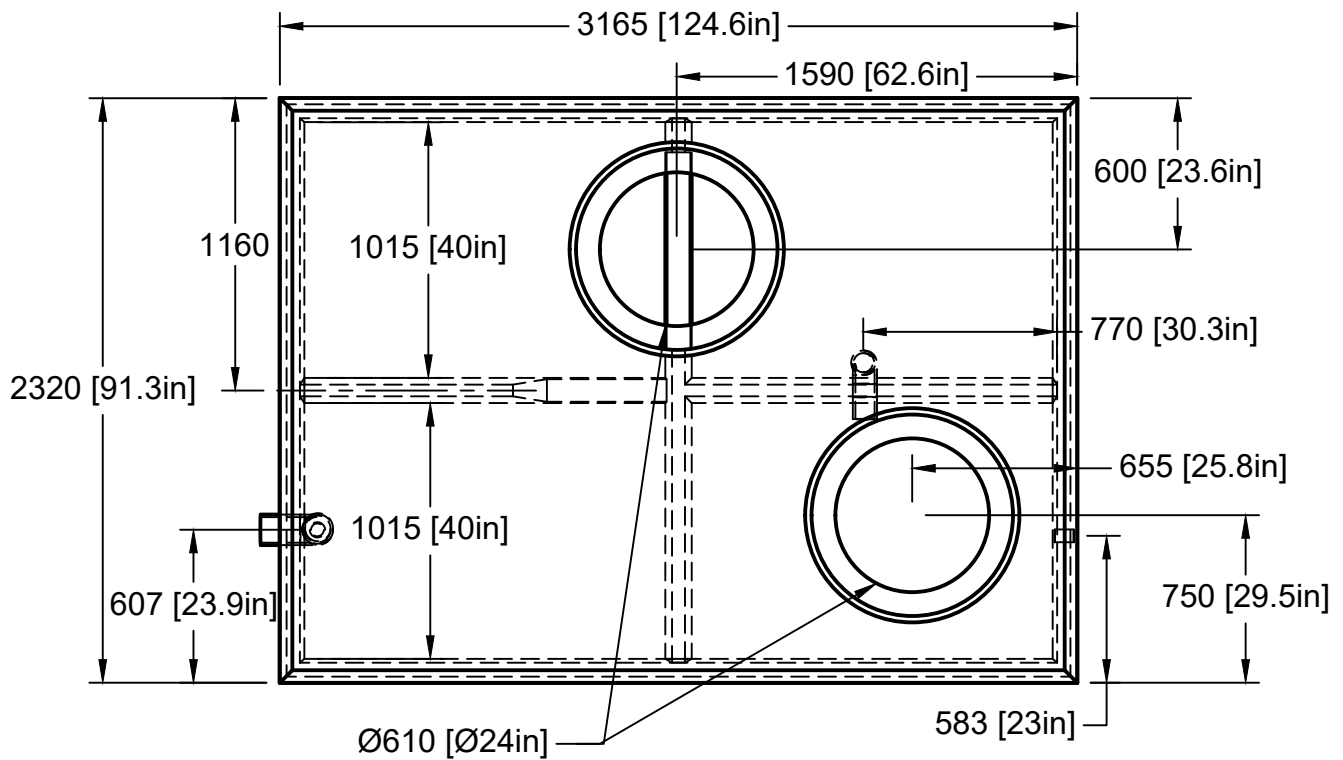
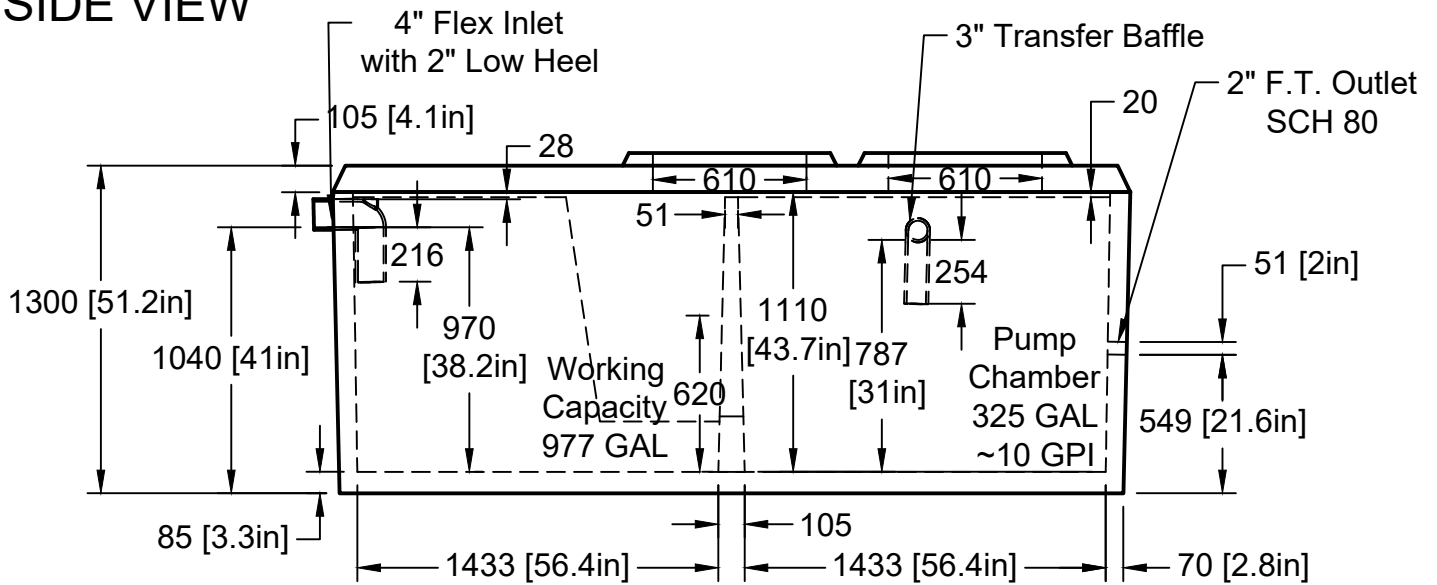




This is a non traffic-rated tank

# PLAN VIEW



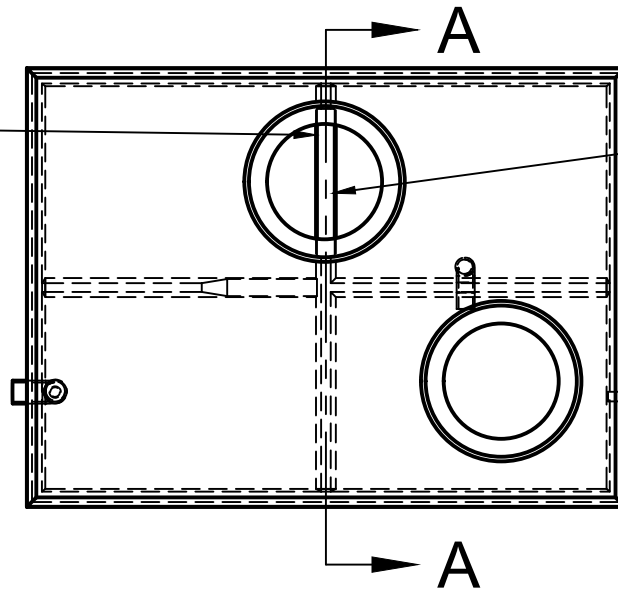
# SIDE VIEW



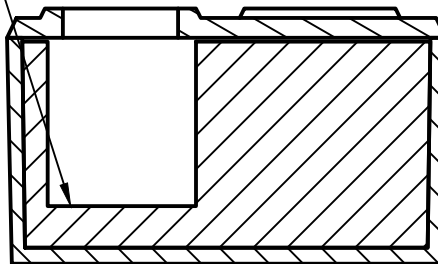
Date: 11/30/2022	#100 53251 Range Road 232 Sherwood Park, AB T8A 4V2  p 780.472.8265 f 780.478.5699 tf 800.661.5667 info@tanks-a-lot.com www.tanks-a-lot.com	Type Septic Tank	
		Model P1518	
 <b>TANKS-A-LOT</b> onsite water and sewage solutions	Configuration 1 Piece - 2 Manhole		
	Capacity: 1,302/977gal (5,919/4,444L)		
Earth Cover: 13'-4" (4m)	Weight: 12,120lbs (5,498kg)		Revision: 3.0
Sheet Size: A (8.5"x11")	Scale: 1:30		Sheet 1/1
Drawn by: Tristan Nelson			

785 x 150 Transfer Port


170 x 130 Transfer Port



785 x 890 Transfer Port



**SECTION A-A**  
**SCALE 1:40**

Date: 11/30/2022	#100 53251 Range Road 232 Sherwood Park, AB T8A 4V2	Type Septic Tank		
	p 780.472.8265 f 780.478.5699 tf 800.661.5667 info@tanks-a-lot.com www.tanks-a-lot.com	Model P1518		
		Configuration 1 Piece - 2 Manhole		
Earth Cover: 13'-4" (4m)		Capacity: 1,302/977gal (5,919/4,444L)		
Sheet Size: A (8.5"x11")		Weight: 12,120lbs (5,498kg)	Revision: 3.0	
Drawn by: Tristan Nelson		Scale: 1:40	Sheet 1/1	