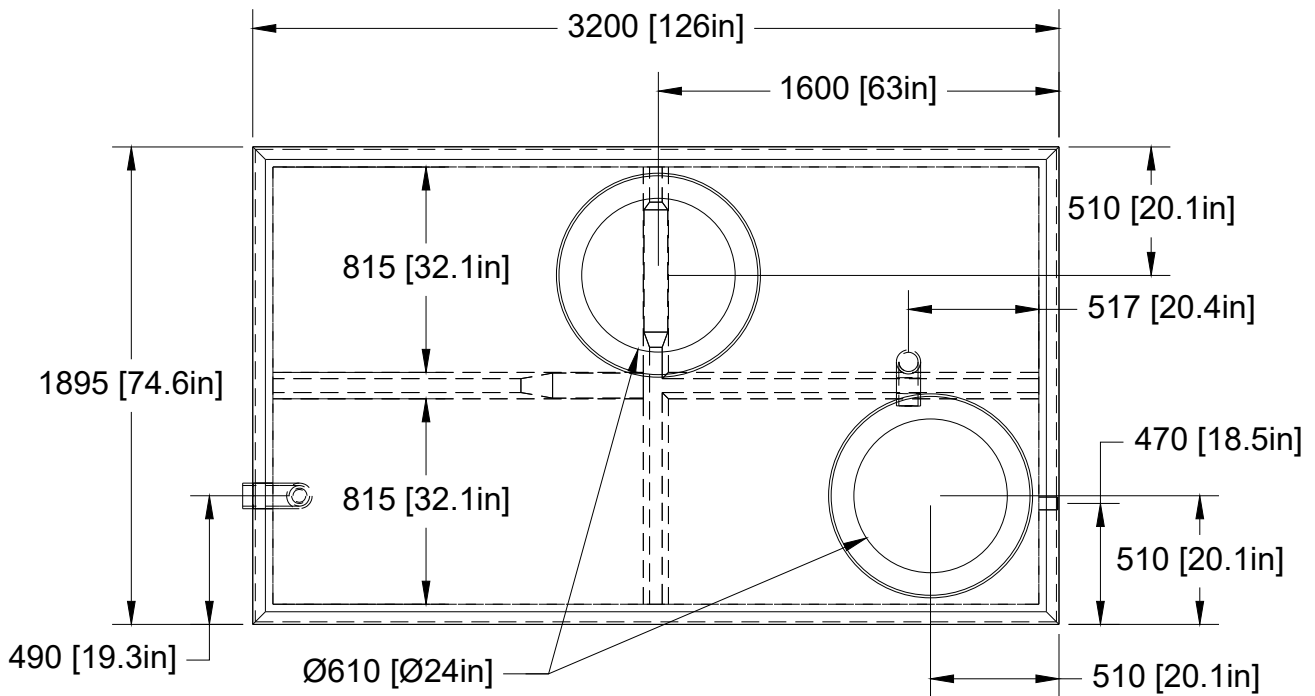
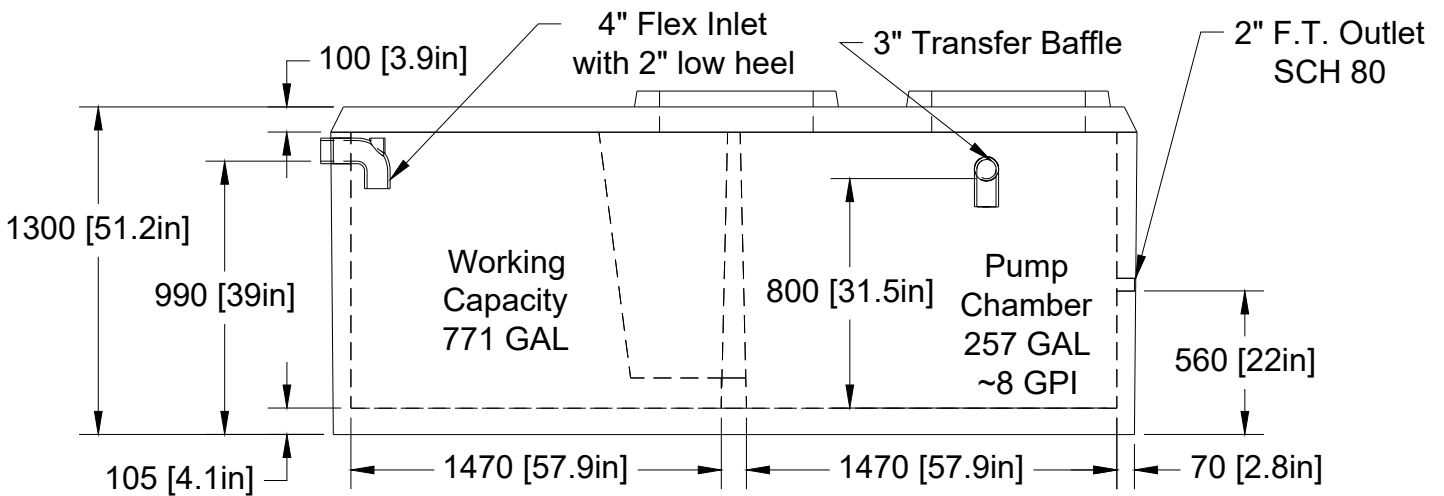



PLAN VIEW

This is a non traffic-rated tank



SIDE VIEW



Date: 11/24/2017	#100 53251 Range Road 232 Sherwood Park, AB T8A 4V2	Type Septic Tank		
 TANKS-A-LOT onsite water and sewage solutions		p 780.472.8265 f 780.478.5699 tf 800.661.5667 info@tanks-a-lot.com www.tanks-a-lot.com	Model P1220	
			Configuration 1 Piece - 2 Manhole	
Earth Cover: 13'-1" (4m)		Capacity: 1,220/771gal (5,545/3,506L)		
Sheet Size: A (8.5"x11")		Weight: 10,000lbs (4,500kg)	Revision: 3.0	
Drawn by: Tristan Nelson		Scale: 1:30	Sheet 1/1	

