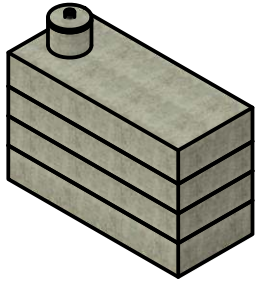
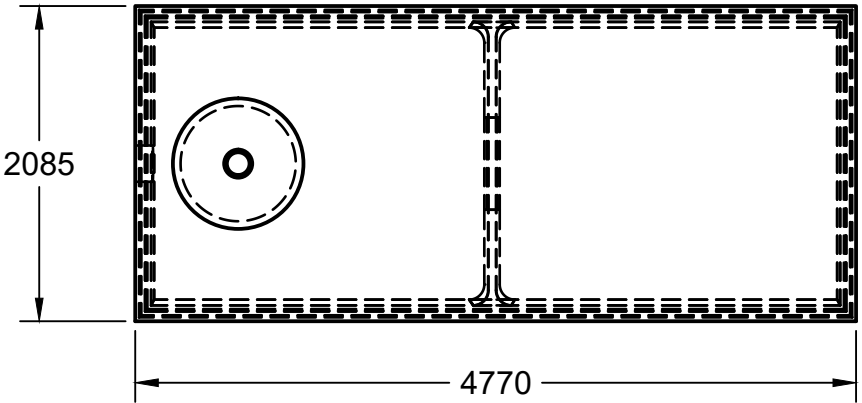
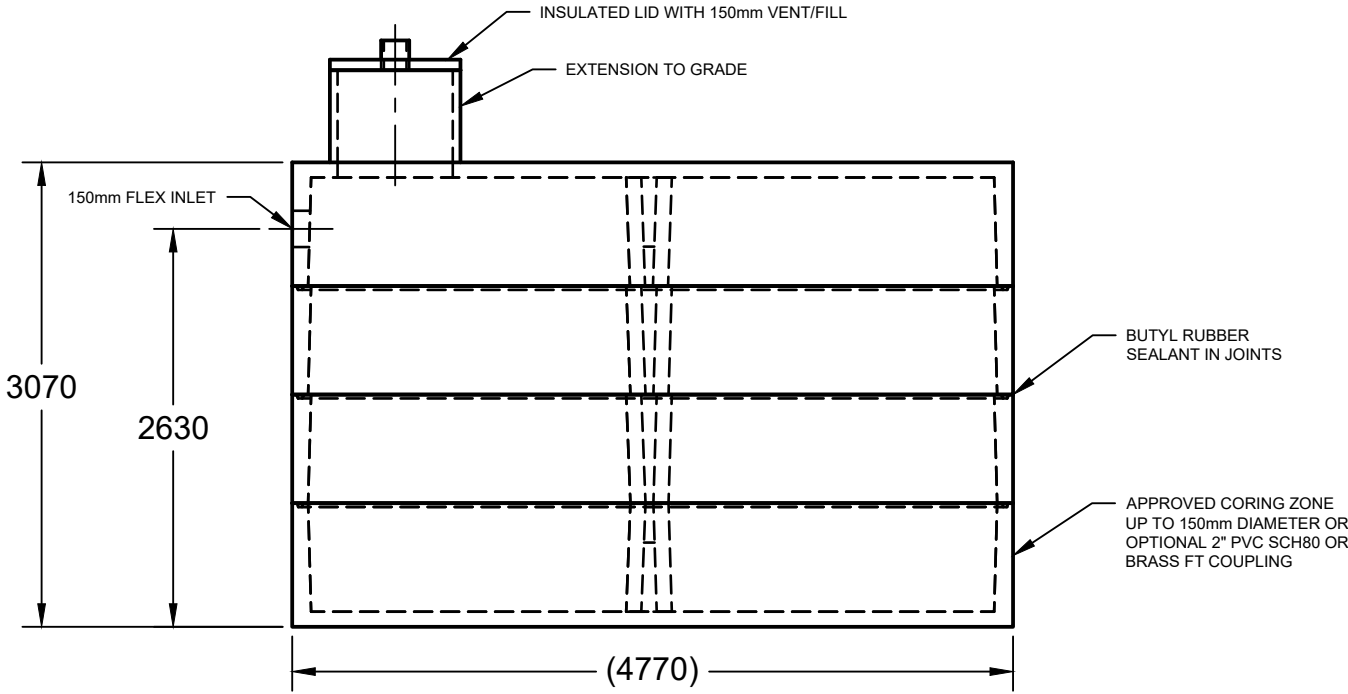



This is a non traffic-rated tank

PLAN VIEW



SECTION



<p>Date: 10/3/2018</p>	<p>1810 Yellowhead Trail N.E. Edmonton, AB T6S 1B4</p>	<p>Type HOLDING TANK</p>	
	<p>p 780.472.8265 f 780.478.5699 tf 800.661.5667 info@tanks-a-lot.com www.tanks-a-lot.com</p>	<p>Model MODEL 5000</p>	
		<p>Configuration 4 Piece - 30" Manhole</p>	
		<p>Capacity: 5,140 (Imp. Gallons)</p>	
<p>Earth Cover: 6'-7" MAX</p>		<p>Weight: 36,000 (lbs)</p>	<p>Revision:</p>
<p>Sheet Size: A (8.5"x11") Drawn by: Tanks - A - Lot</p>		<p>Scale: 1:50</p>	<p>Sheet 1/1</p>