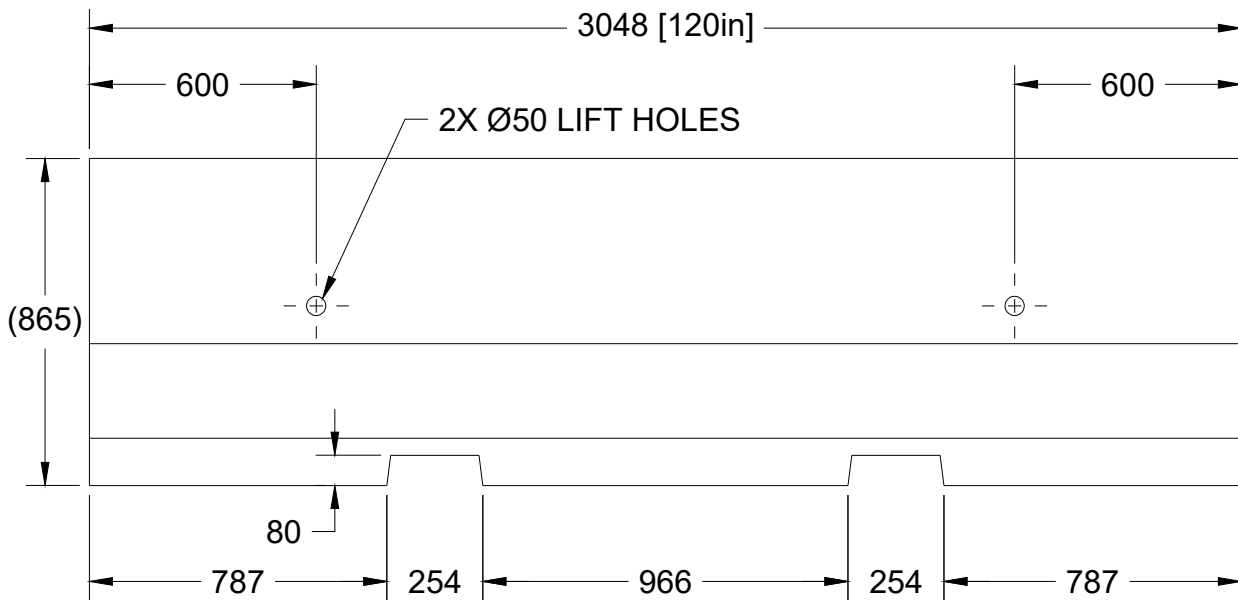


FRONT VIEW



SIDE VIEW

Units in mm unless otherwise noted



S3 PRECAST
 #100 53251 RR232 Sherwood Park, AB
 PH: 780-472-8265 FAX: 780-478-5699

Standard Products

10' Precast Concrete Barrier

Drawn By:	Tanks-A-Lot
Scale:	1:20
Date:	2020-01-28
Drawing #:	
Rev:	
Sheet:	1/1