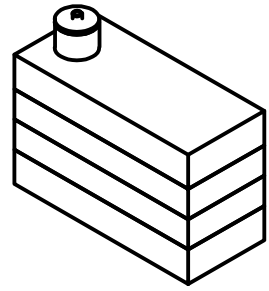
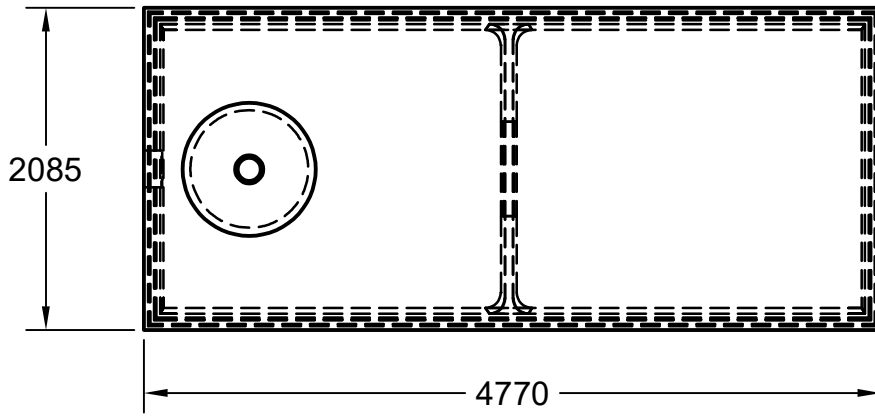
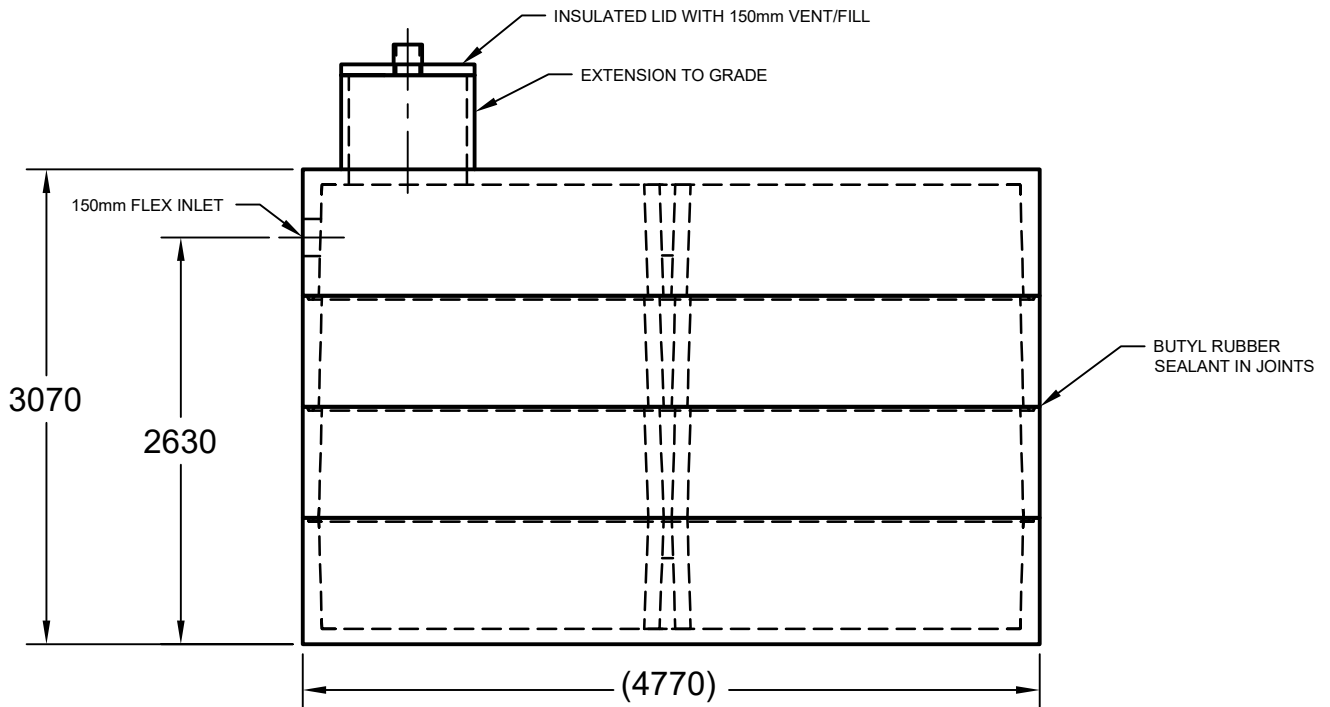



This is a non traffic-rated tank

# PLAN VIEW



# SECTION



Date:	12/06/2022
 <b>TANKS-A-LOT</b> <small>onsite water and sewage solutions</small>	
Earth Cover:	6'-7" MAX
Sheet Size:	A (8.5"x11")
Drawn by:	Tanks - A - Lot

1810 Yellowhead Trail N.E.  
 Edmonton, AB  
 T6S 1B4

p 780.472.8265  
 f 780.478.5699  
 tf 800.661.5667  
 info@tanks-a-lot.com  
 www.tanks-a-lot.com

Type	<b>HOLDING TANK</b>	
Model	<b>MODEL 5000</b>	
Configuration	<b>4 Piece - 30" Manhole</b>	
Capacity:	5,140(Imp. Gallons)	
Weight:	36,000 lbs (16.34T)	Revision: 2.0
Scale:	1:50	Sheet 1/1