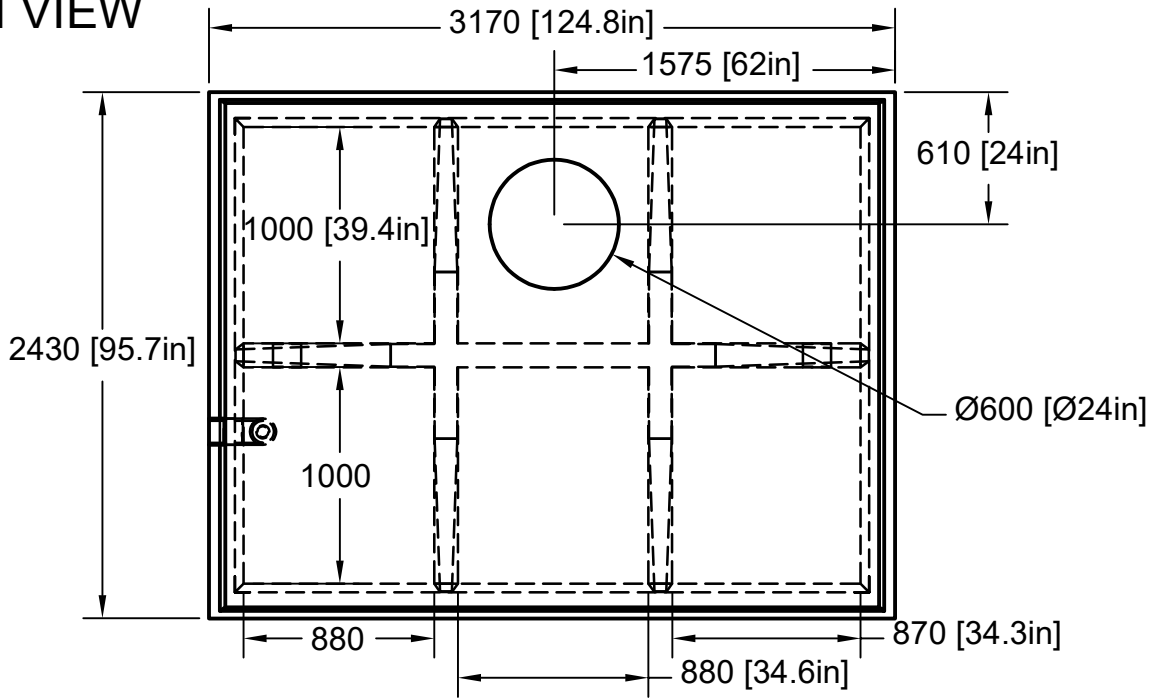
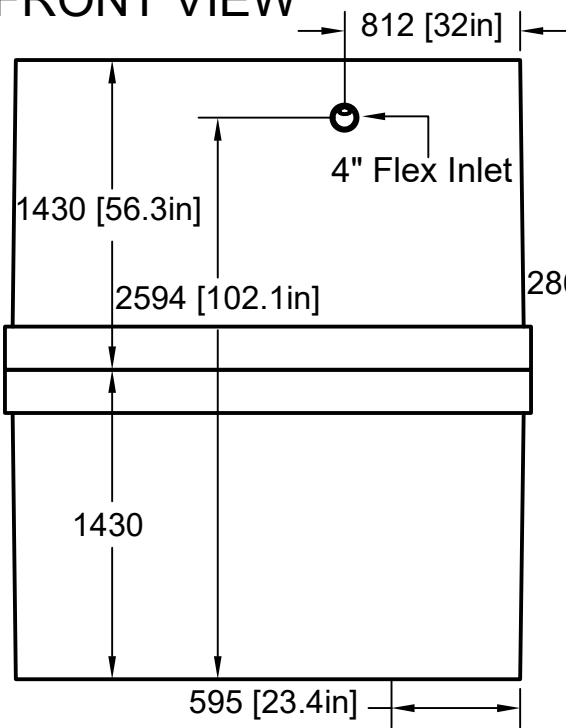


This is a non traffic-rated tank

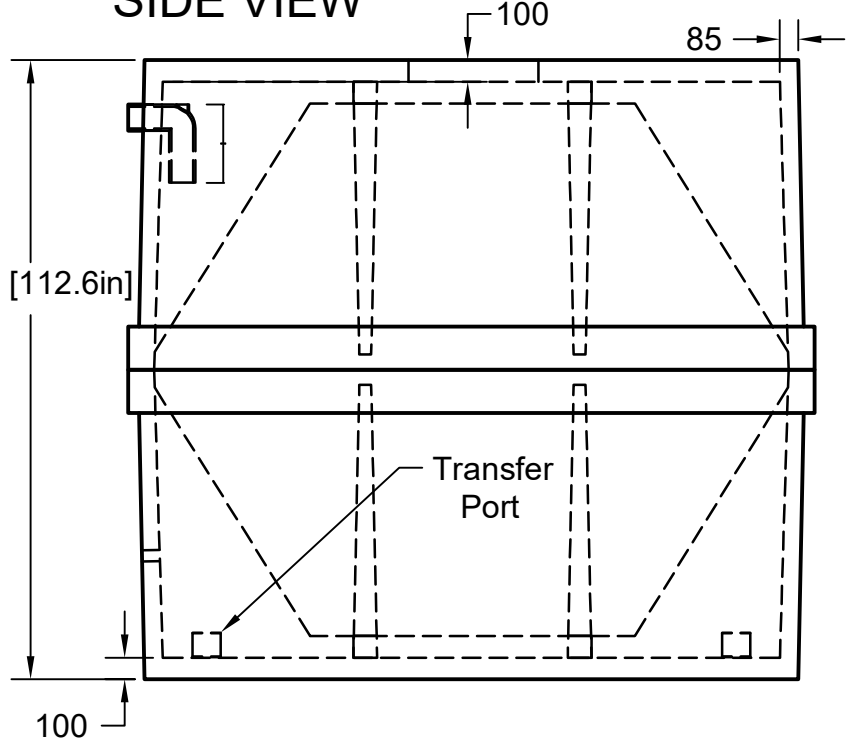
### PLAN VIEW




### FRONT VIEW



### SIDE VIEW



Date: 12/06/2022	#100 53251 RR 232 Sherwood Park, AB T8A 4V2	Type Holding Tank	
	p 780.472.8265 f 780.478.5699 tf 800.661.5667 info@tanks-a-lot.com www.tanks-a-lot.com	Model H3700	
Earth Cover: 6'-6" (2.0m)		Configuration 2 Piece - 1 Manhole	
Sheet Size: A (8.5"x11") Drawn by: Tristan Nelson		Capacity: 3,700gal (16,820L)  Weight: 22,200lbs (10.07 T)	Revision: 4.0
		Scale: 1:35	Sheet 1/1