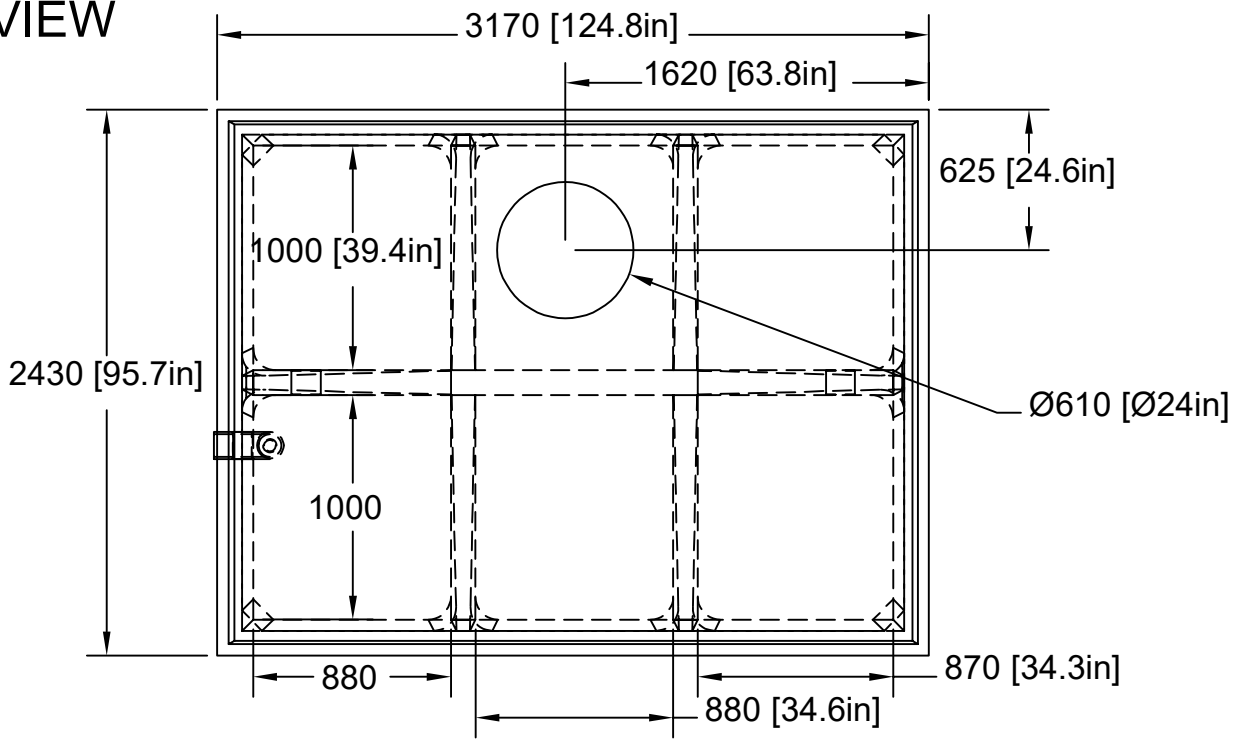
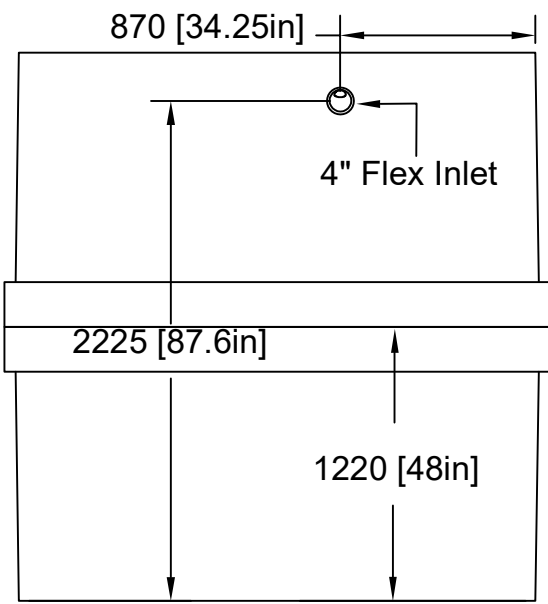


PLAN VIEW

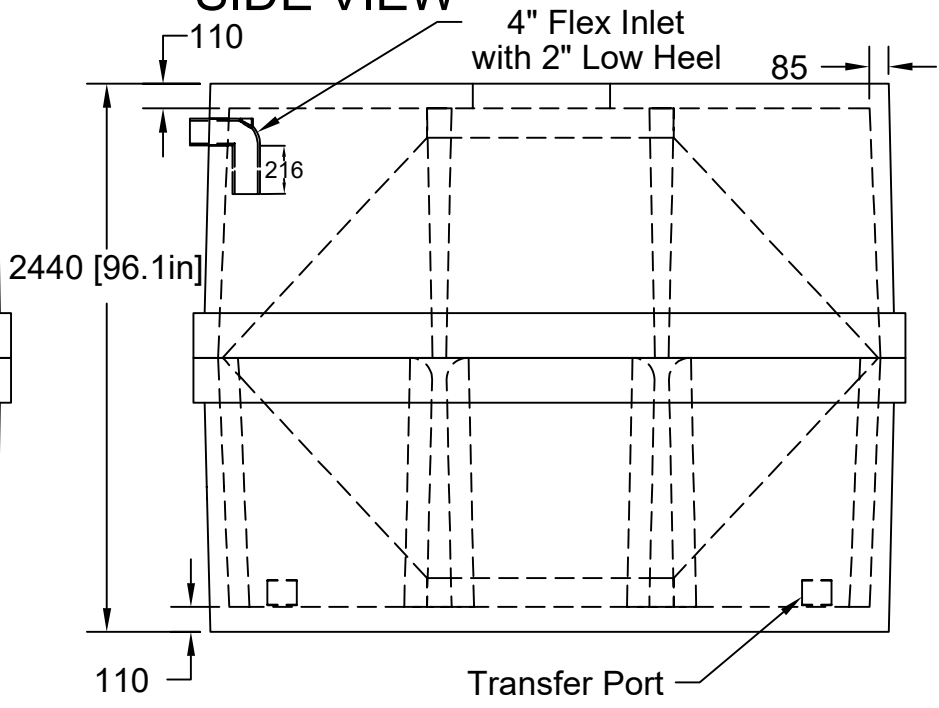


This is a non traffic-rated tank


FRONT VIEW



SIDE VIEW



Note: Butyl Sealants must be applied to the joint of 2-piece tank

Date: 12/06/2022	#100 53251 RR 232 Sherwood Park, AB T8A 4V2	Type Holding Tank	
 TANKS-A-LOT onsite water and sewage solutions		p 780.472.8265 f 780.478.5699 tf 800.661.5667 info@tanks-a-lot.com www.tanks-a-lot.com	Model H3200
			Configuration 2 Piece - 1 Manhole Capacity: 3,200gal (14,547L)
Earth Cover: 9'-9" (3.0m)	www.tanks-a-lot.com	Weight: 20,000lbs (9.07T)	Revision: 4.0
Sheet Size: A (8.5"x11")	www.tanks-a-lot.com	Scale: 1:35	Sheet 1/1
Drawn by: Tristan Nelson	www.tanks-a-lot.com	Scale: 1:35	