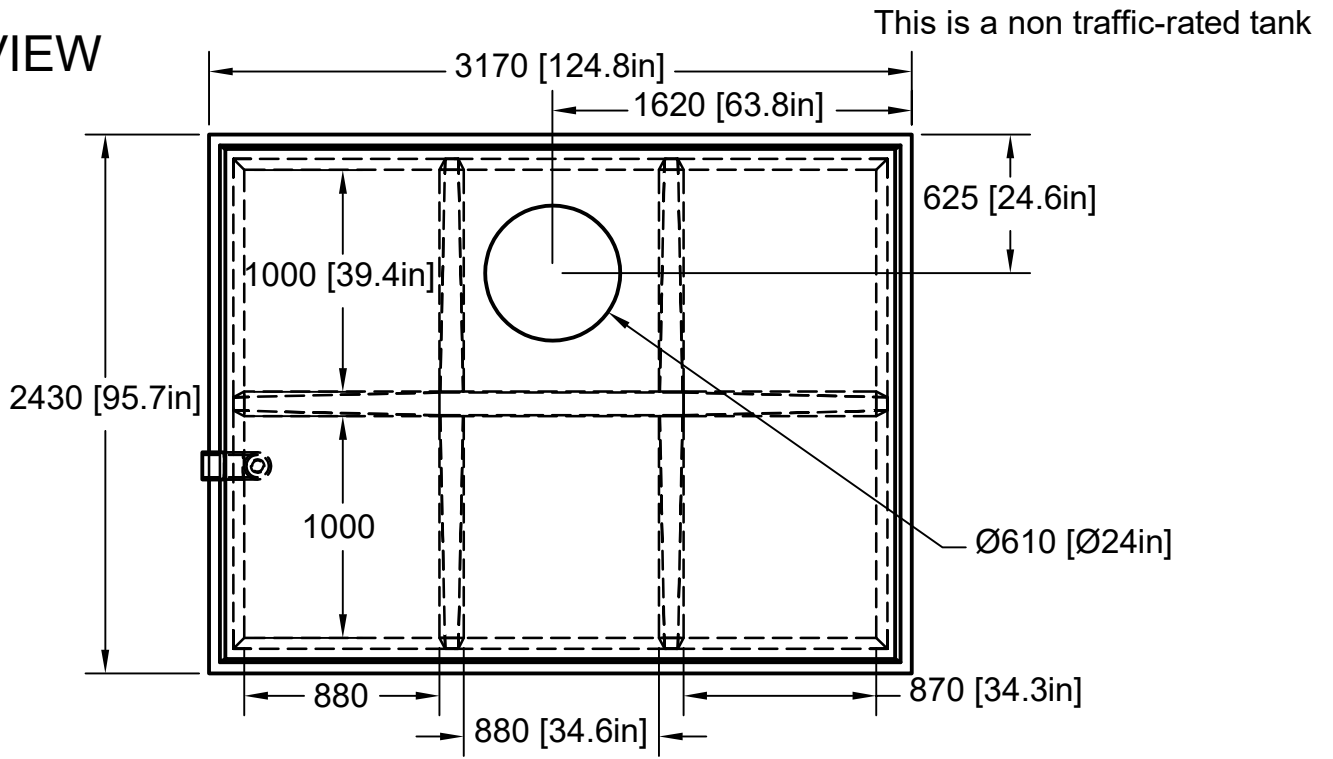
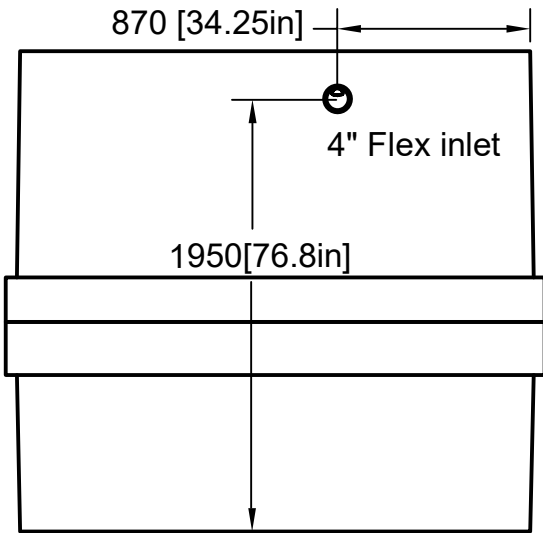


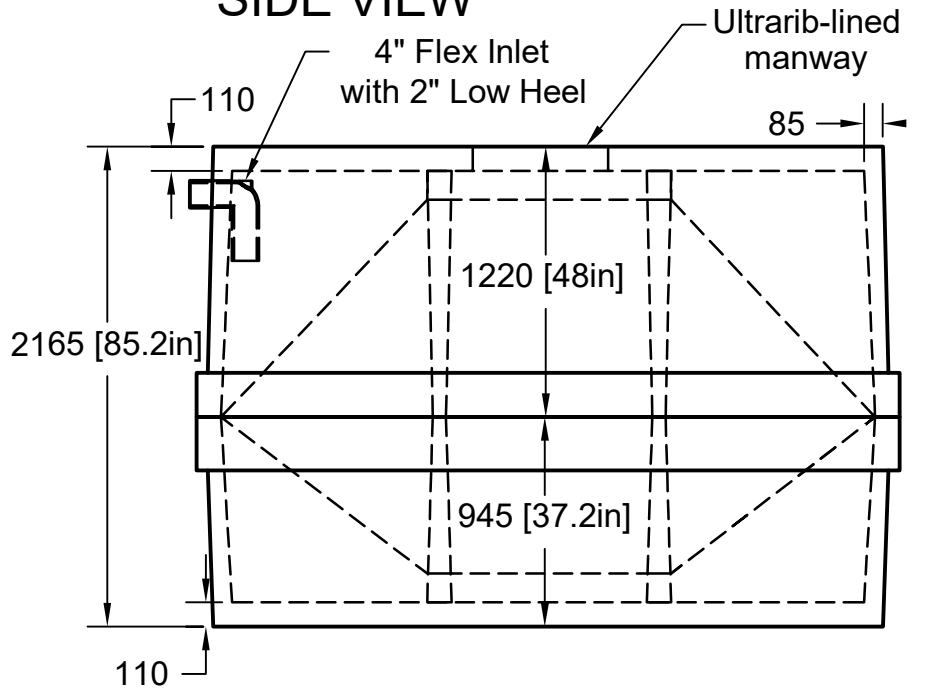
PLAN VIEW




FRONT VIEW



SIDE VIEW



Date: 12/06/2022	#100 53251 RR 232 Sherwood Park, AB T8A 4V2	Type Holding Tank		
	p 780.472.8265 f 780.478.5699 tf 800.661.5667 info@tanks-a-lot.com www.tanks-a-lot.com	Model H2700		
		Configuration 2 Piece - 1 Manhole		
		Capacity: 2,700gal (12,274L)		
Earth Cover: 9'-9" (3.0m)		Weight: 19,000lbs (8.618T)	Revision: 4.0	
Sheet Size: A (8.5"x11")		Scale: 1:35	Sheet 1/1	
Drawn by: Tristan Nelson				