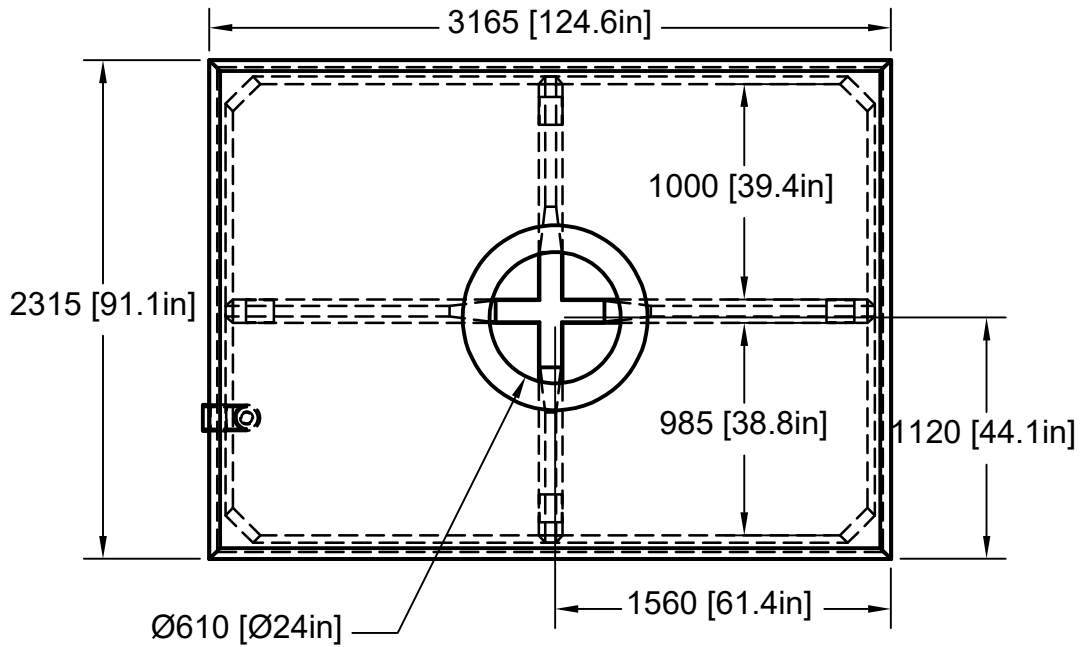
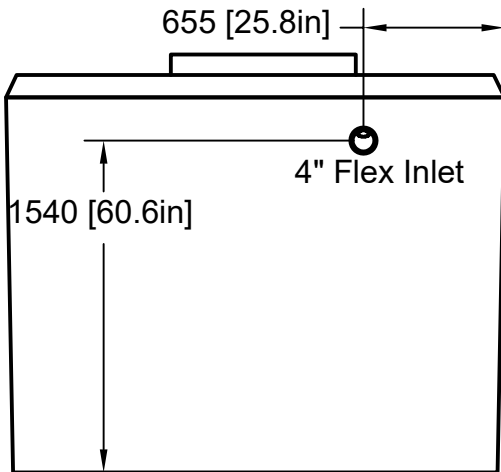


This is a non traffic-rated tank

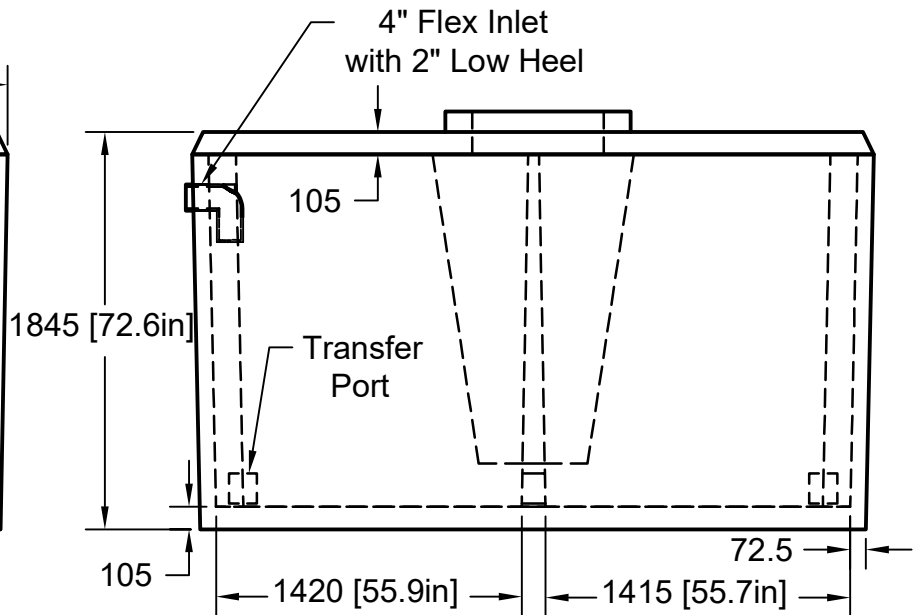
PLAN VIEW




FRONT VIEW



SIDE VIEW



Date: 12/06/2022	#100 53251 RR 232 Sherwood Park, AB T8A 4V2	Type Holding Tank	
		Model H2200	
	p 780.472.8265 f 780.478.5699 tf 800.661.5667 info@tanks-a-lot.com www.tanks-a-lot.com	Configuration 1 Piece - 1 Manhole	
		Capacity: 2,200gal (10,000L)	
Earth Cover: 9'-9" (3m)		Weight: 16,200lbs (7.348T)	Revision: 4.0
Sheet Size: A (8.5"x11")		Scale: 1:35	Sheet 1/1
Drawn by: Tristan Nelson			