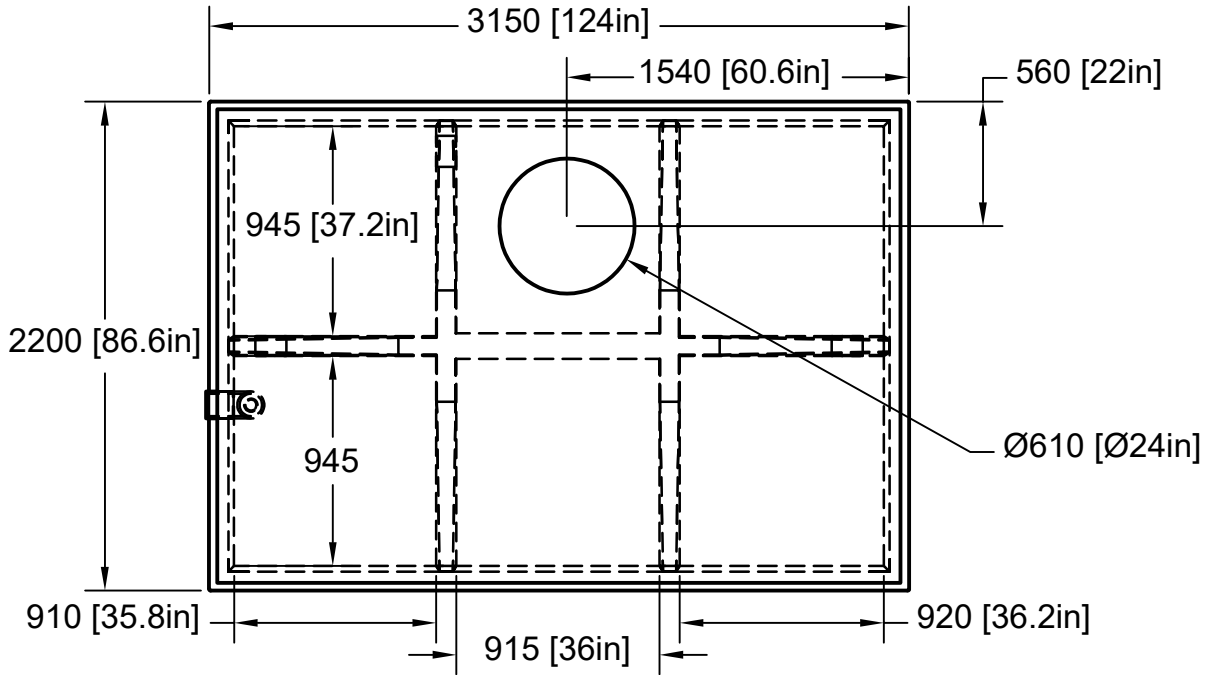
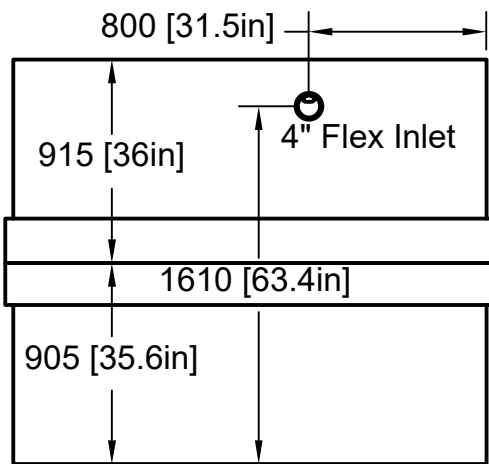


This is a non traffic-rated tank

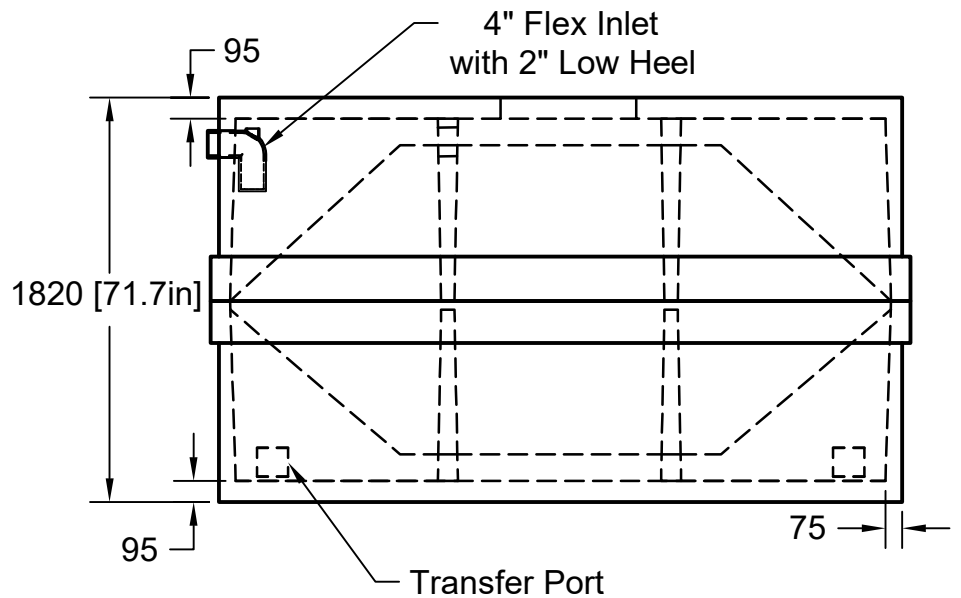
# PLAN VIEW




# FRONT VIEW



# SIDE VIEW



|  |  |                                      |               |
|--|--|--------------------------------------|---------------|
| Date:<br>12/06/2022  | #100 53251 RR 232<br>Sherwood Park, AB<br>T84 4V2  | Type<br>Holding Tank                 |               |
|  | p 780.472.8265<br>f 780.478.5699<br>tf 800.661.5667<br>info@tanks-a-lot.com<br>www.tanks-a-lot.com | Model<br>H2000                       |               |
| Earth Cover: 9'-9" (3.0m)  |  | Configuration<br>2 Piece - 1 Manhole |               |
| Sheet Size: A (8.5"x11")   |  | Capacity: 2,000gal (9,000L)          |               |
| Drawn by: Tristan Nelson   |  | Weight: 18,000lbs (6.714T)           | Revision: 4.0 |
|  |  | Scale: 1:30                          | Sheet 1/1     |