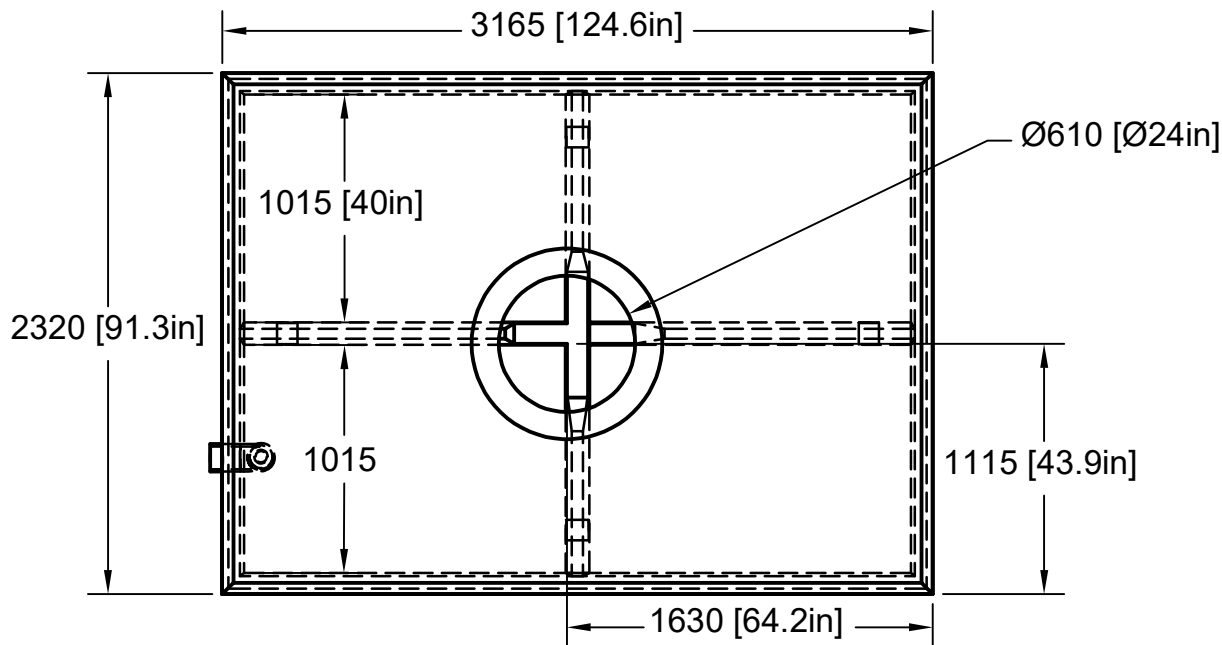
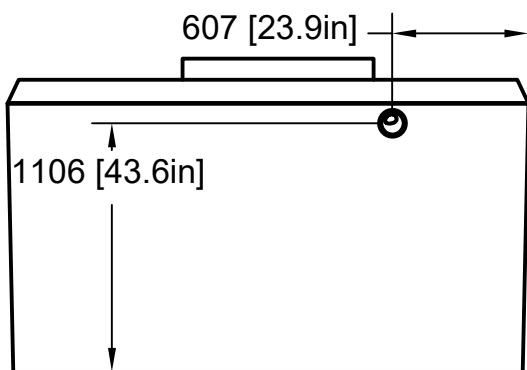


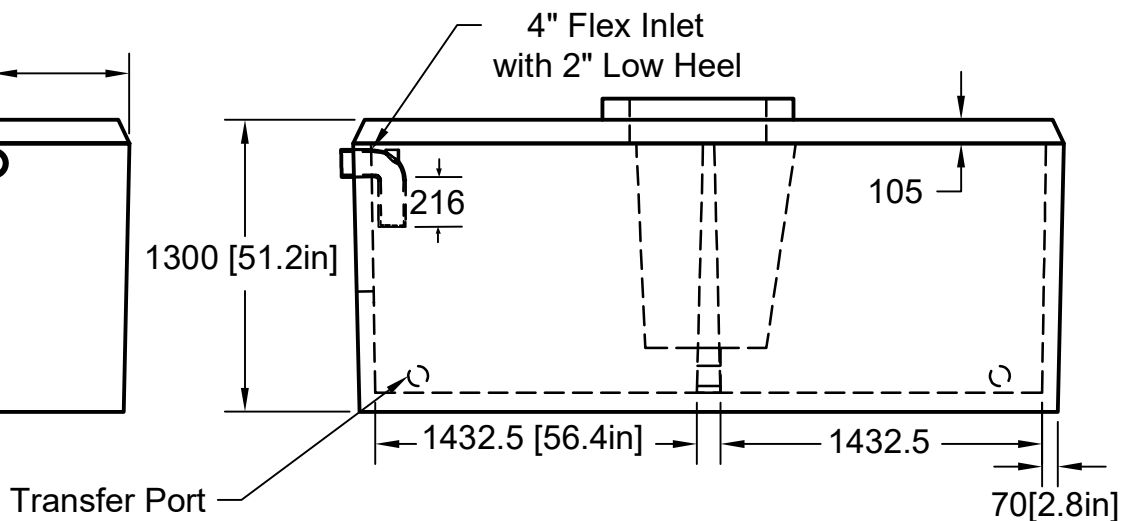
PLAN VIEW




FRONT VIEW



SIDE VIEW



<p>Date: 12/06/2022</p>	<p>#100 53251 RR 232 Sherwood Park, AB T8A 4V2</p>	<p>Type Holding Tank</p>		
		<p>p 780.472.8265 f 780.478.5699 tf 800.661.5667 info@tanks-a-lot.com www.tanks-a-lot.com</p>	<p>Model H1518</p>	
			<p>Configuration 1 Piece - 1 Manhole</p>	
			<p>Capacity: 1,518gal (6,900L)</p>	
<p>Earth Cover: 9'-9"(3.0m)</p>			<p>Weight: 12,120lbs (5.498T)</p>	<p>Revision: 4.0</p>
<p>Sheet Size: A (8.5"x11")</p>			<p>Scale: 1:35</p>	<p>Sheet 1/1</p>
<p>Drawn by: Vincent Tat</p>			