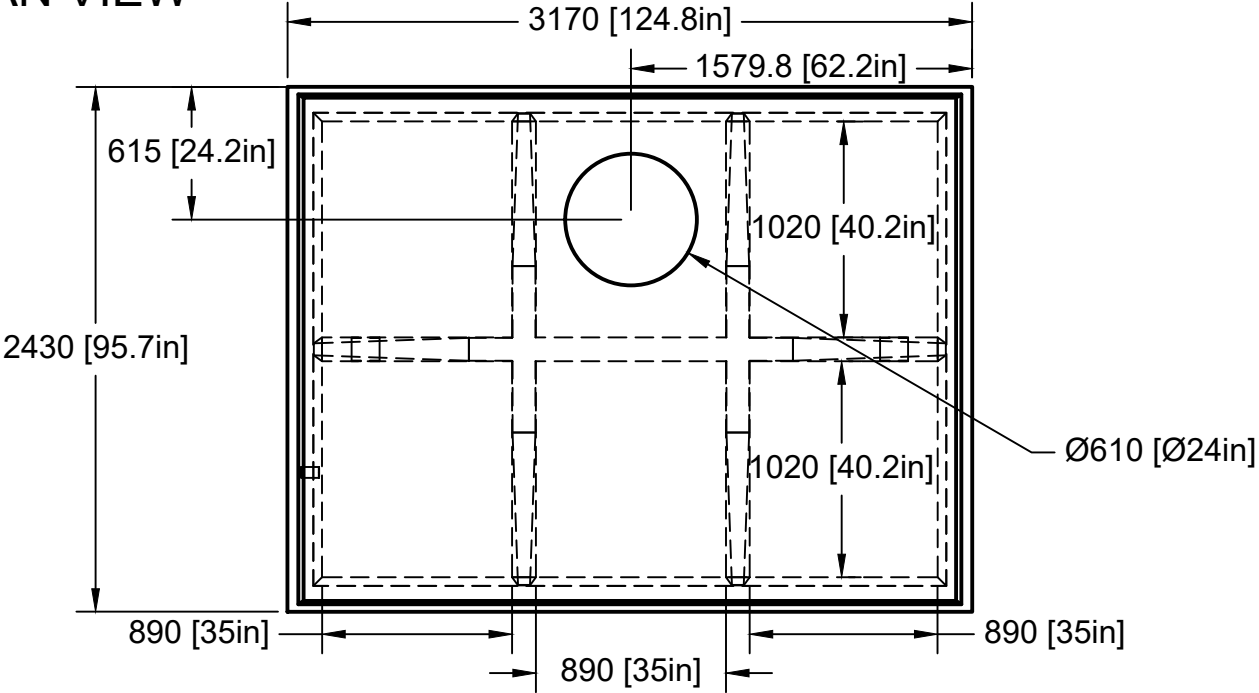
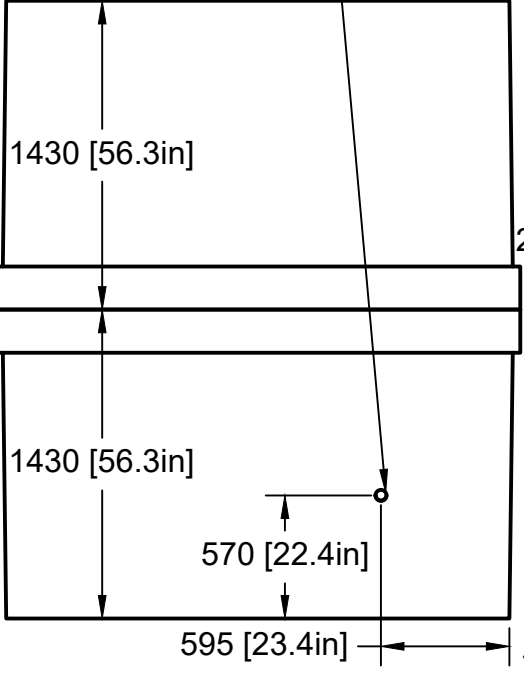


This is a non traffic-rated tank

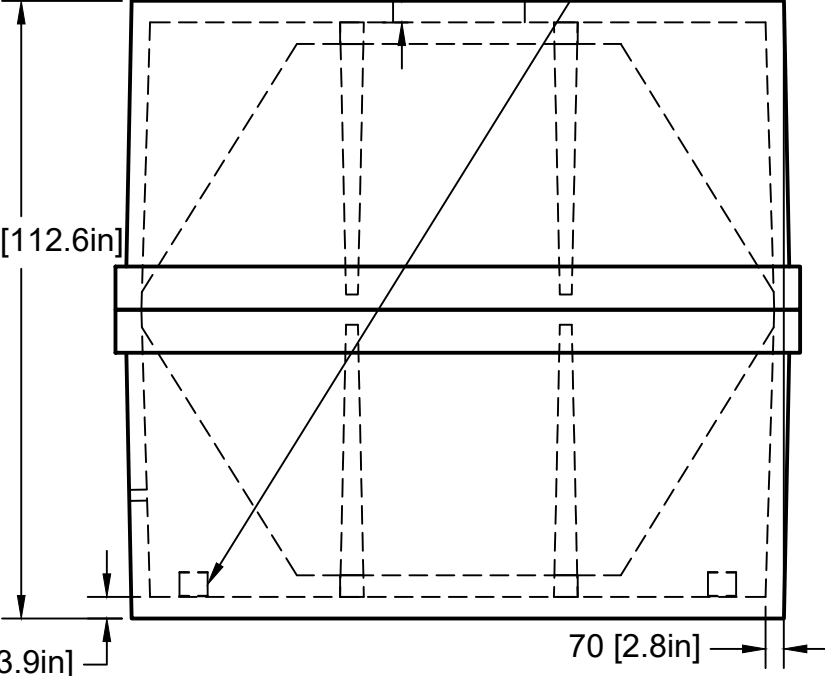
PLAN VIEW




FRONT VIEW



SIDE VIEW



<p>Date: 12/11/2017</p>	<p>1810 Yellowhead Trail N.E. Edmonton, AB T6S 1B4</p>	<p>Type Cistern</p>	
	<p>p 780.472.8265 f 780.478.5699 tf 800.661.5667 info@tanks-a-lot.com www.tanks-a-lot.com</p>	<p>Model C3700</p>	
<p>Earth Cover: 21,650lbs (9,821kg)</p>		<p>Configuration 2 Piece - 1 Manhole</p>	
<p>Sheet Size: A (8.5"x11")</p>		<p>Capacity: 3,700gal (16,800gal)</p>	
<p>Drawn by: Tristan Nelson</p>		<p>Weight: 22,200lbs (9,072kg)</p>	<p>Revision: 3.0</p>
		<p>Scale: 1:35</p>	<p>Sheet 1/1</p>