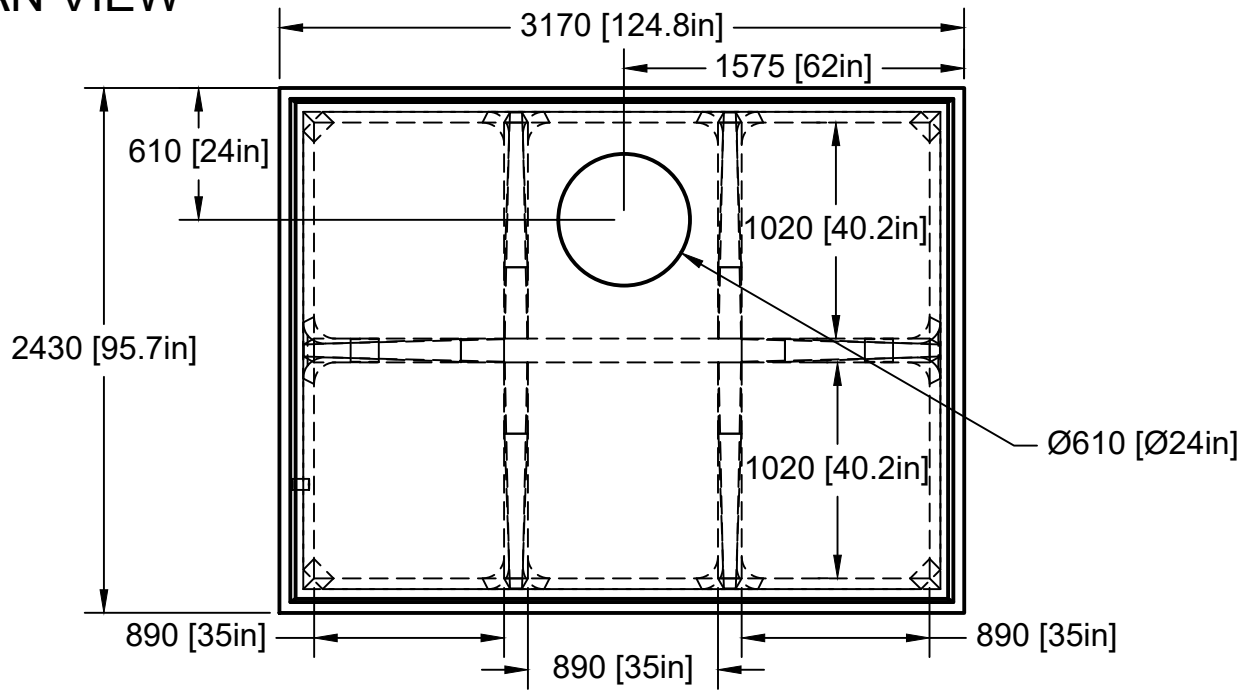
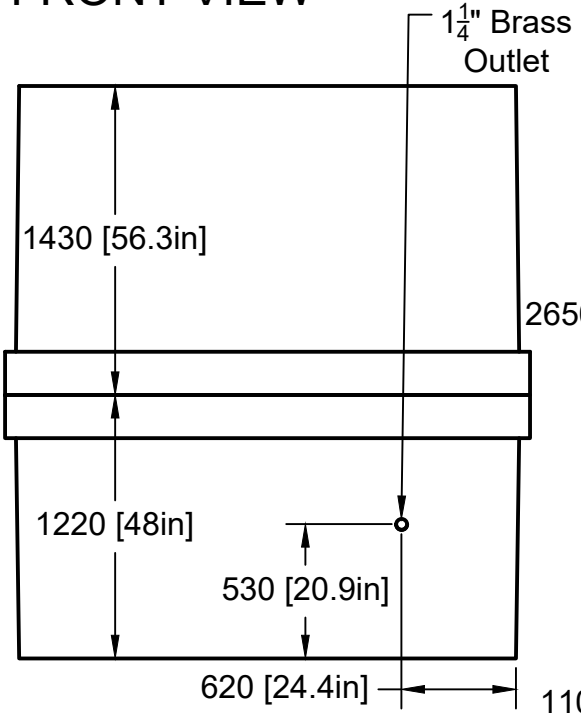


This is a non traffic-rated tank

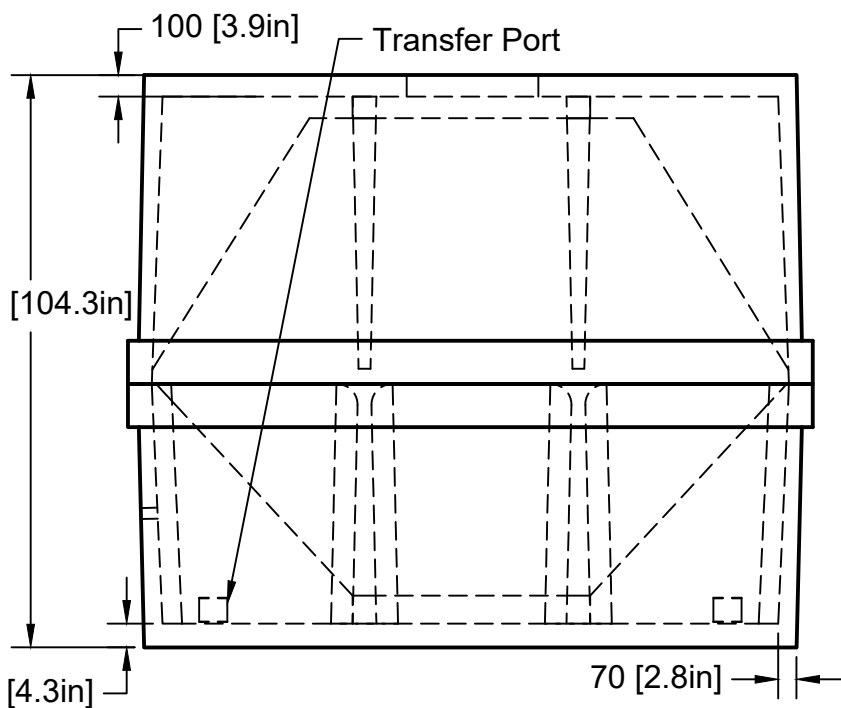
### PLAN VIEW




### FRONT VIEW



### SIDE VIEW



Date: 12/11/2017	1810 Yellowhead Trail N.E. Edmonton, AB T6S 1B4	Type Cistern	
	p 780.472.8265 f 780.478.5699 tf 800.661.5667 info@tanks-a-lot.com www.tanks-a-lot.com	Model C3400	
Earth Cover: 6'-6" (2.0m)		Configuration 2 Piece - 1 Manhole	
Sheet Size: A (8.5"x11")		Capacity: 3,400gal (15,456L)	
Drawn by: Tristan Nelson		Weight: 21,650lbs (9,821kg)	Revision: 3.0
		Scale: 1:35	Sheet 1/1