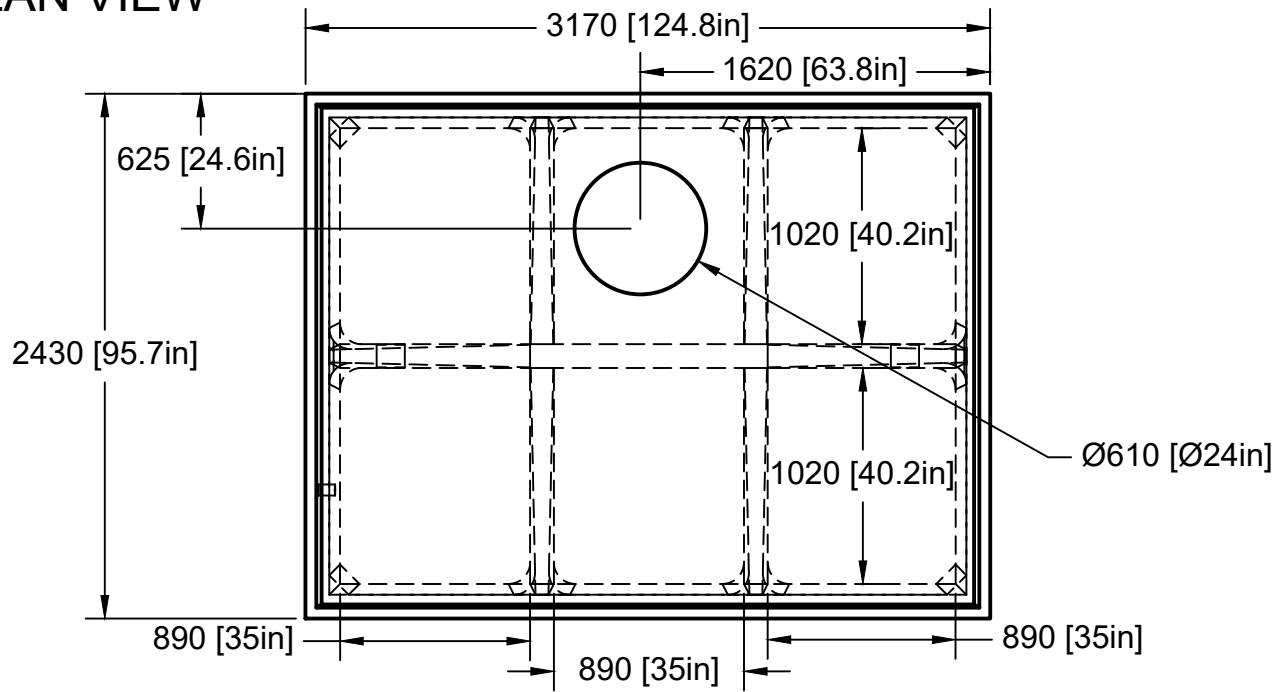
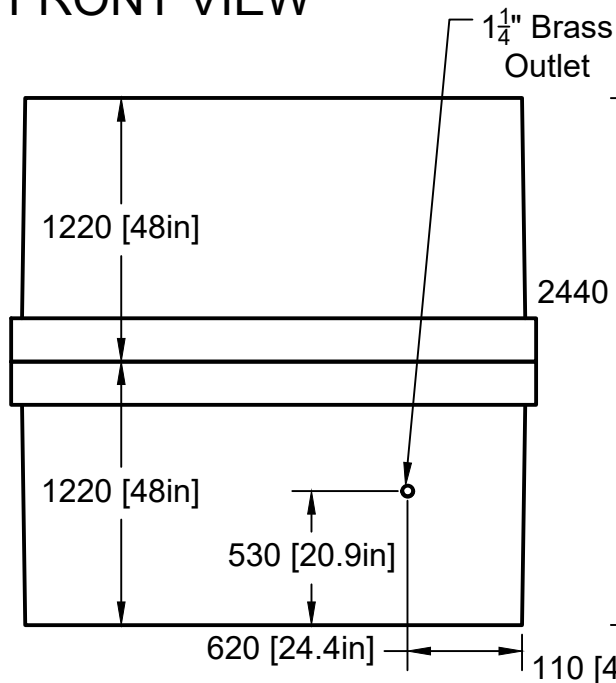


This is a non traffic-rated tank

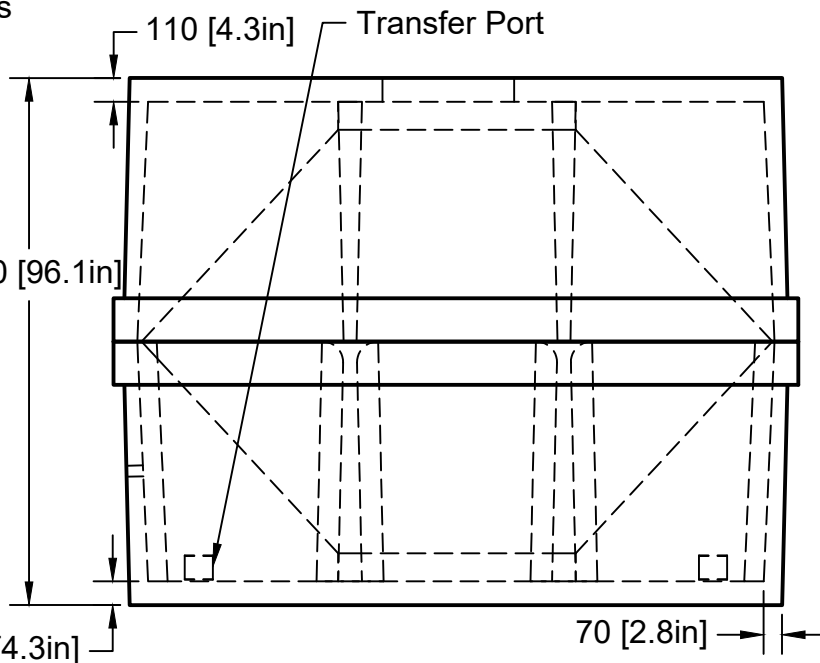
### PLAN VIEW




### FRONT VIEW



### SIDE VIEW



|  |   |                                     |  |
|--|---|-------------------------------------|--|
| <p>Date:<br/>12/11/2017</p>  | <p>1810 Yellowhead Trail N.E.<br/>Edmonton, AB<br/>T6S 1B4</p>  | <p>Type<br/>Cistern</p>             |  |
|  | <p>p 780.472.8265<br/>f 780.478.5699<br/>tf 800.661.5667<br/>info@tanks-a-lot.com<br/>www.tanks-a-lot.com</p> | <p>Model<br/>C3200</p>              | <p>Configuration<br/>2 Piece - 1 Manhole</p> |
| <p>Earth Cover: 9'-9" (3.0m)</p>   |   | <p>Capacity: 3,200gal (14,000L)</p> |  |
| <p>Sheet Size: A (8.5"x11")</p>  |   | <p>Weight: 20,000lbs (9,072kg)</p>  | <p>Revision: 3.0</p>                         |
| <p>Drawn by: Tristan Nelson</p>  |   | <p>Scale: 1:35</p>                  | <p>Sheet 1/1</p>                             |