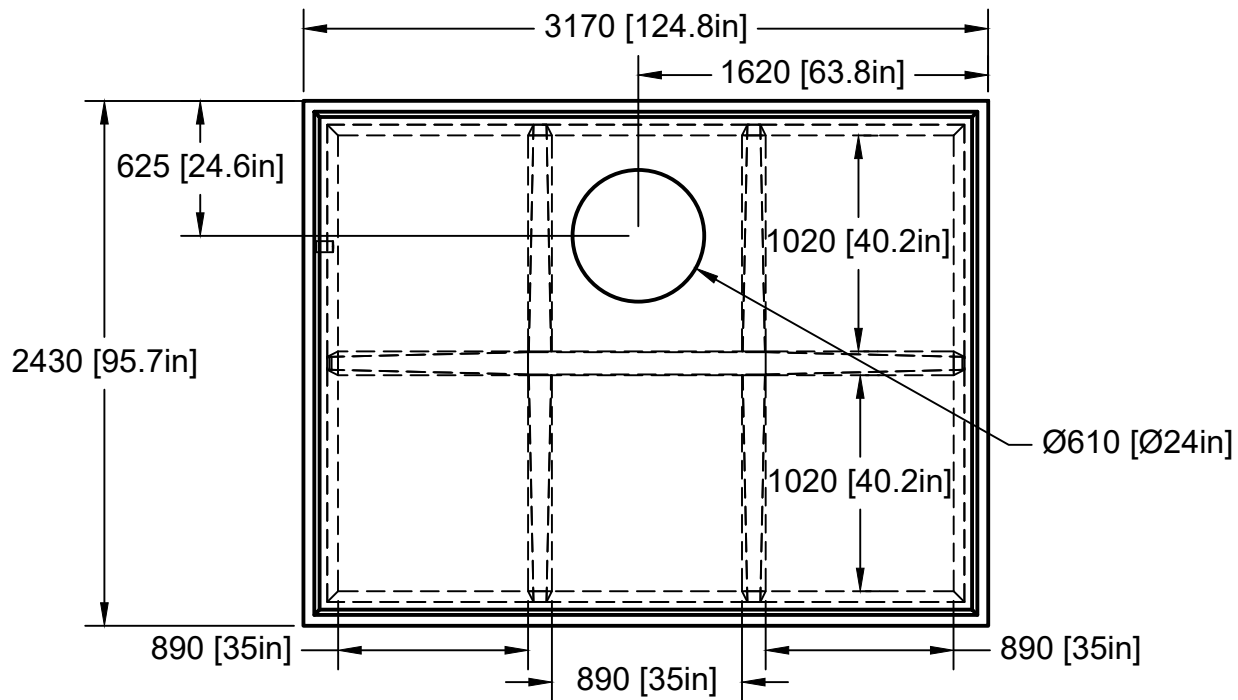
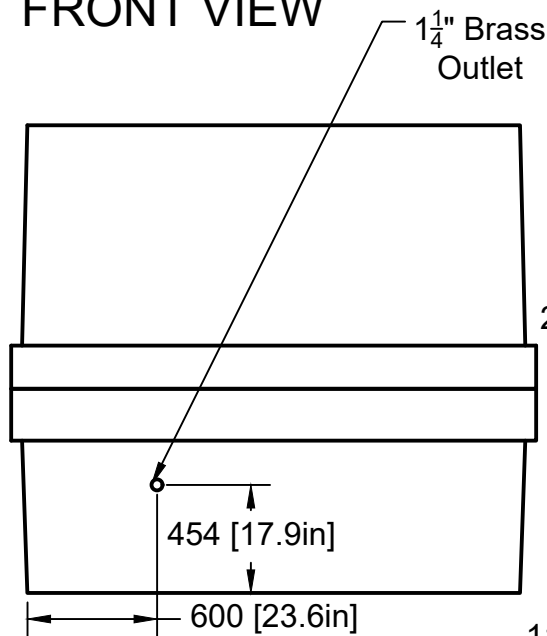


This is a non traffic-rated tank

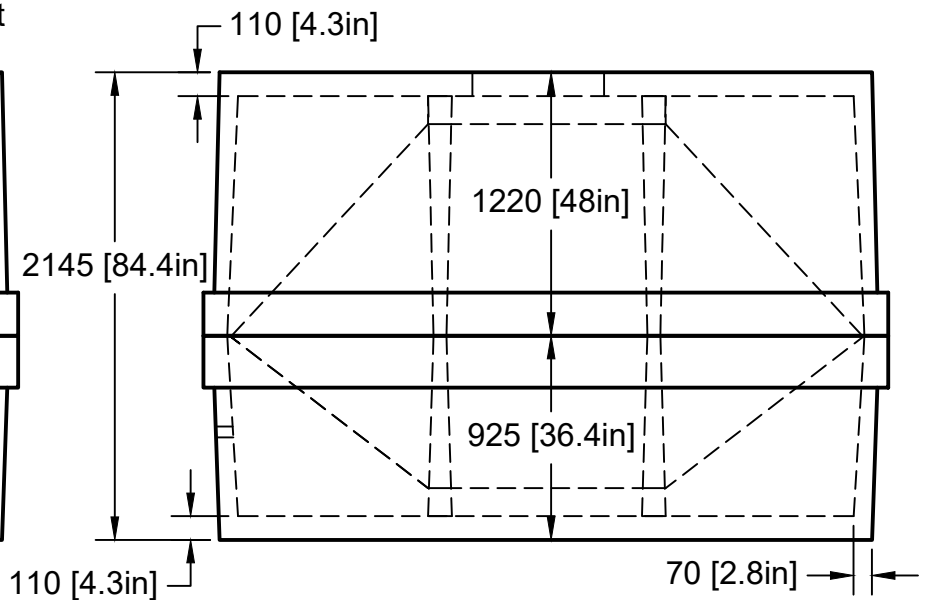
PLAN VIEW



FRONT VIEW



SIDE VIEW



Date:

12/11/2017

1810 Yellowhead Trail N.E.
Edmonton, AB
T6S 1B4

Type

Cistern

Model

C2700

Configuration

2 Piece - 1 Manhole

Capacity: 2,700gal (12,274L)

Weight: 19,000lbs (8,619kg)

Revision: 3.0

Scale: 1:35

Sheet 1/1



Earth Cover: 9'-9" (3.0m)

Sheet Size: A (8.5"x11")

Drawn by: Tristan Nelson

p 780.472.8265
f 780.478.5699
tf 800.661.5667
info@tanks-a-lot.com
www.tanks-a-lot.com