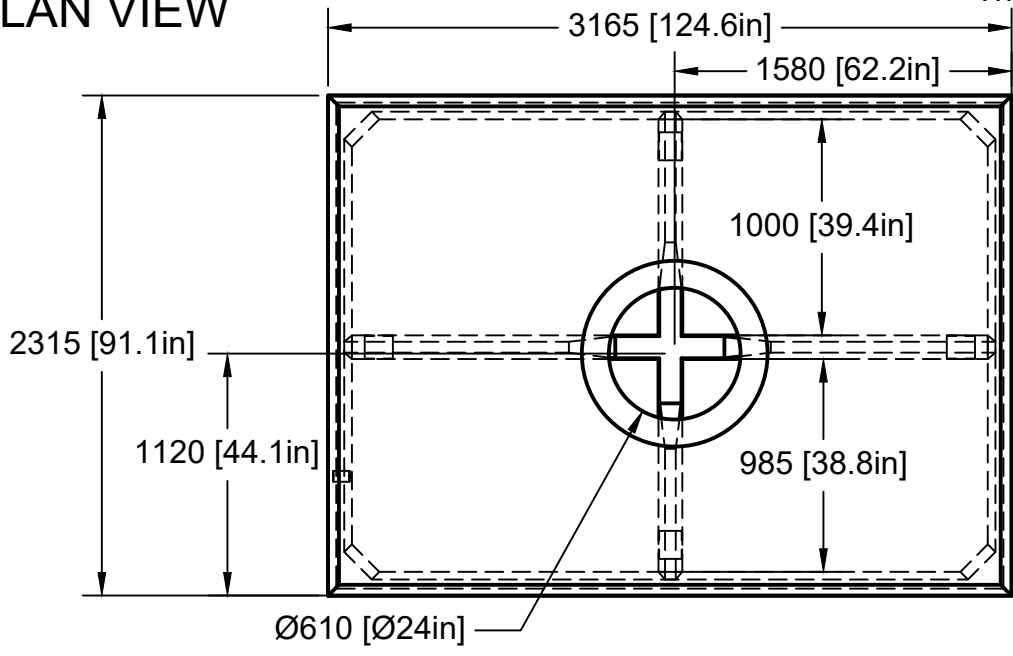
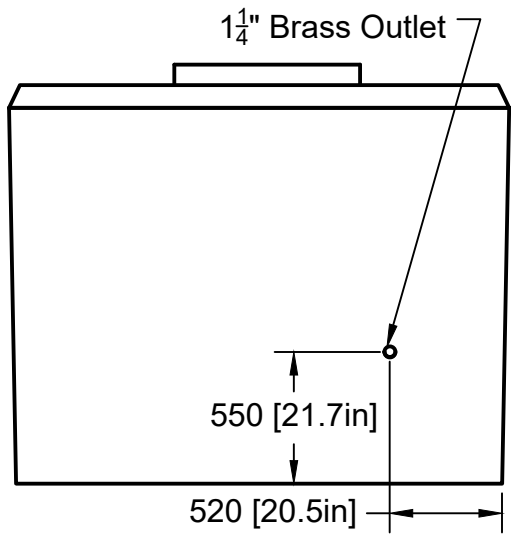


This is a non traffic-rated tank

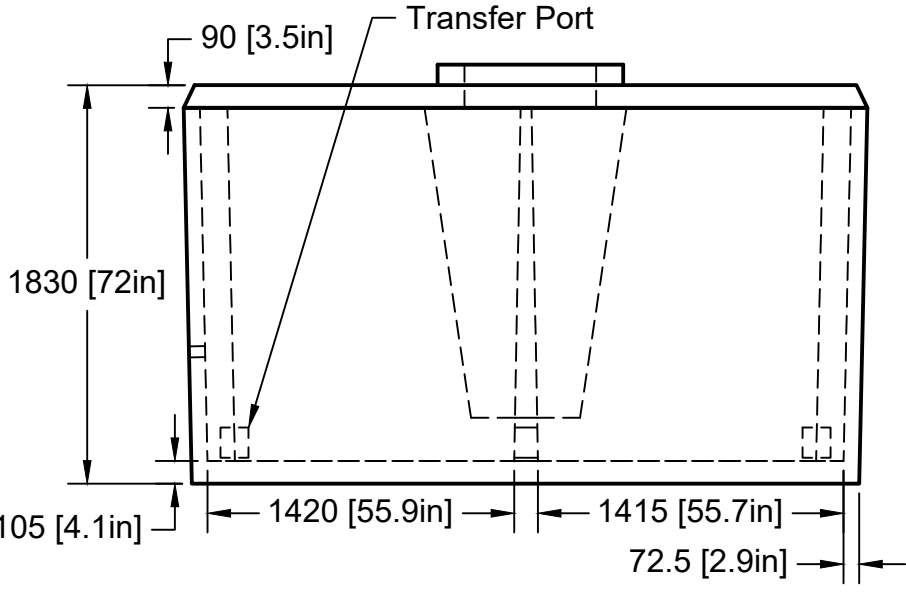
PLAN VIEW




FRONT VIEW



SIDE VIEW



Date: 12/11/2017	1810 Yellowhead Trail N.E. Edmonton, AB T6S 1B4	Type Cistern	
	p 780.472.8265 f 780.478.5699 tf 800.661.5667 info@tanks-a-lot.com www.tanks-a-lot.com	Model C2200	
		Configuration 1 Piece - 1 Manhole	
Earth Cover: 9'-9" (3m)		Capacity: 2,200gal (10,000L)	
Sheet Size: A (8.5"x11")		Weight: 16,200lbs (7,348kg)	Revision: 3.0
Drawn by: Tristan Nelson		Scale: 1:35	Sheet 1/1