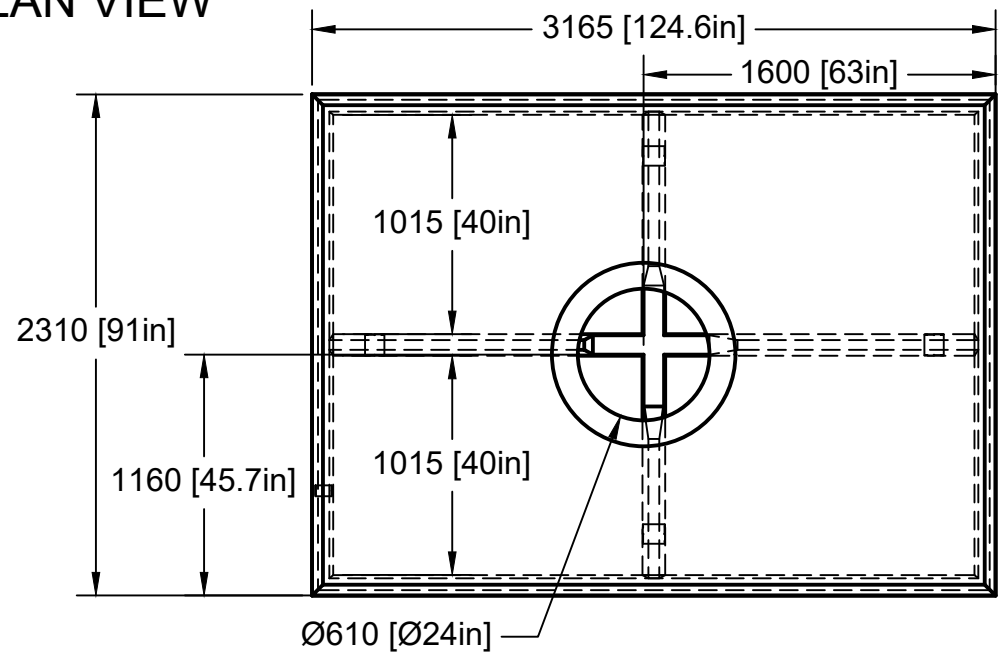


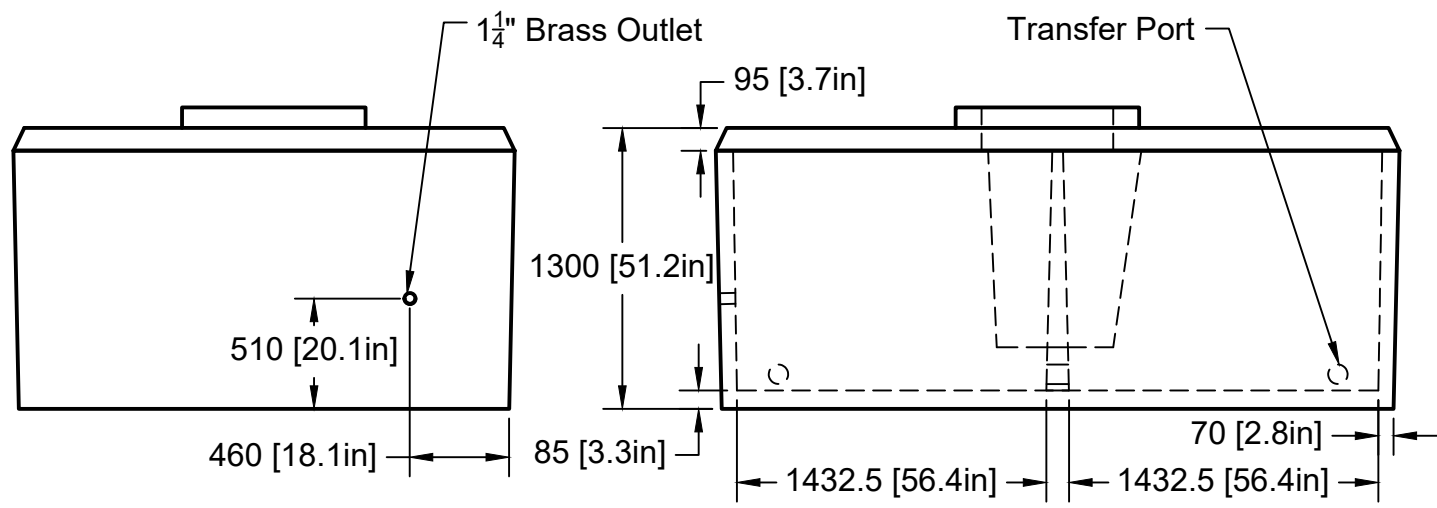
This is a non traffic-rated tank


PLAN VIEW



FRONT VIEW

SIDE VIEW



Date: 12/11/2017	#100 53251 RR232 Sherwood Park, AB T8A 4V2	Type Cistern	
 TANKS-A-LOT onsite water and sewage solutions		Model C1518	
	Configuration 1 Piece - 1 Manhole		
	Capacity: 1,518gal (6,900L)		
Earth Cover: 13'-1" (4m)	p 780.472.8265 f 780.478.5699 tf 800.661.5667 info@tanks-a-lot.com www.tanks-a-lot.com	Weight: 12,120lbs (5,498kg)	Revision: 3.0
Sheet Size: A (8.5"x11")		Scale: 1:30	Sheet 1/1
Drawn by: TN			