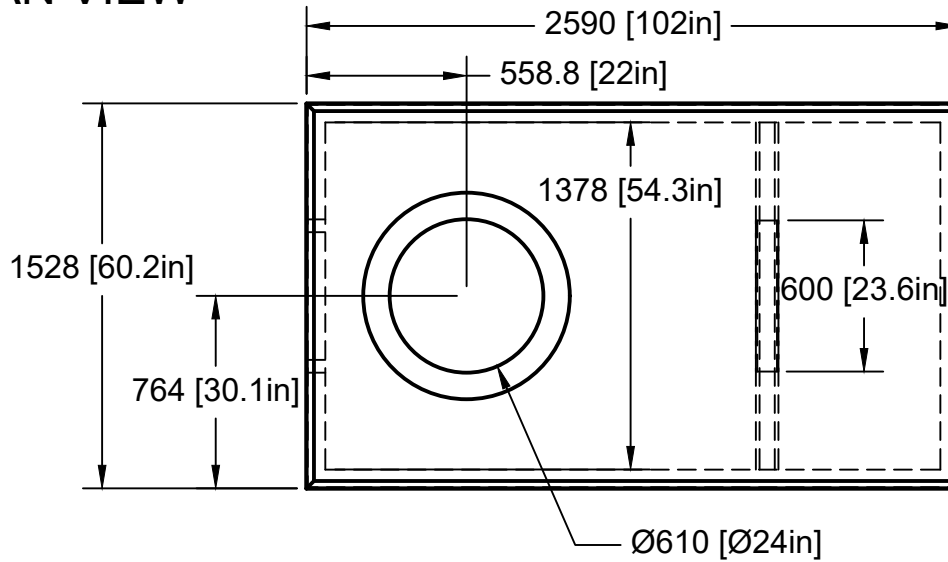
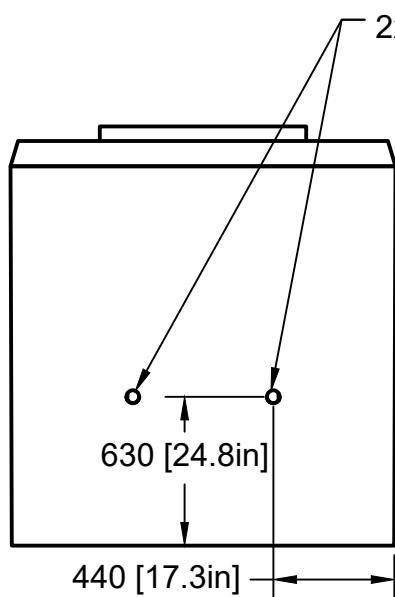


This is a non traffic-rated tank

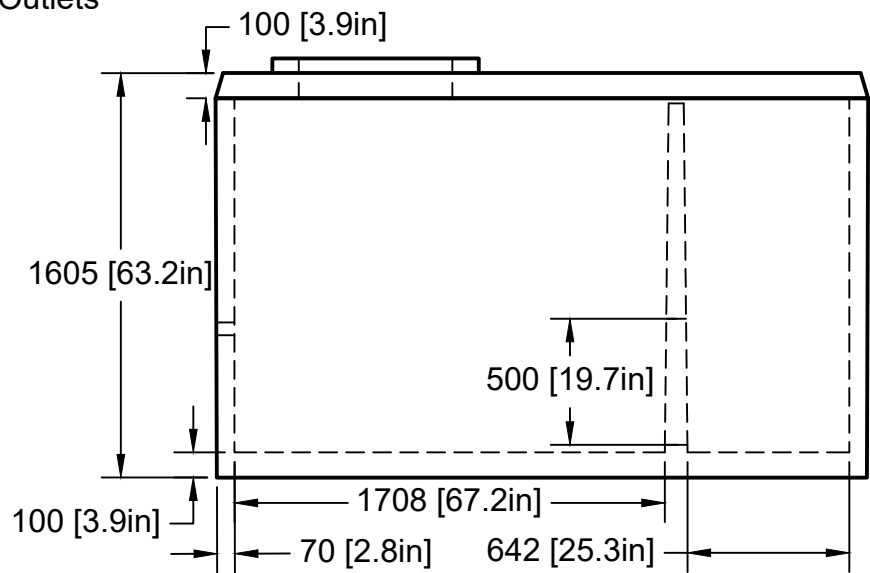
PLAN VIEW




FRONT VIEW



SIDE VIEW



Date: 12/11/2017	#100 53251 RR232 Sherwood Park, AB T8A 4V2 p 780.472.8265 f 780.478.5699 tf 800.661.5667 info@tanks-a-lot.com www.tanks-a-lot.com	Type Cistern	
		Model C1020/T	
		Configuration 1 Piece - 1 Manhole	
		Capacity: 1,020gal (4,637L)	
Earth Cover: 7'-9" (2.37m)		Weight: 8,270lbs (3,751kg)	Revision: 3.0
Sheet Size: A (8.5"x11") Drawn by: TN	Scale: 1:30	Sheet 1/1	