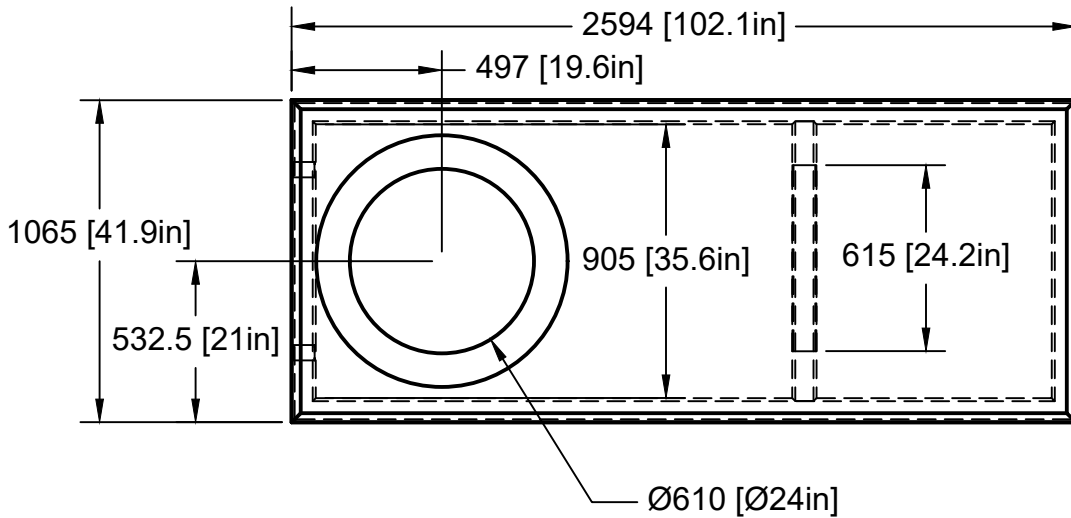


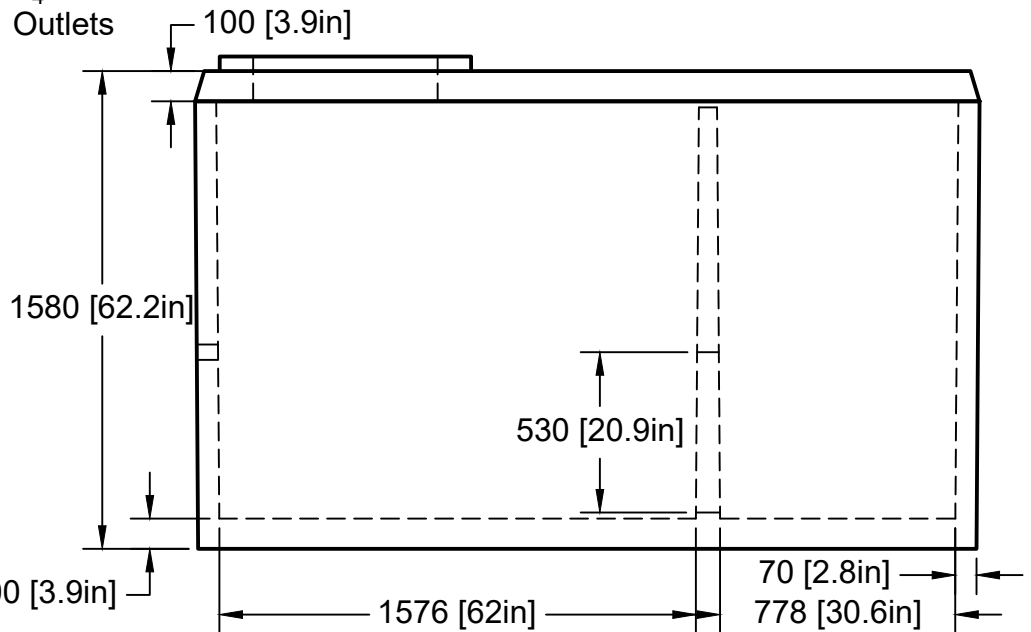
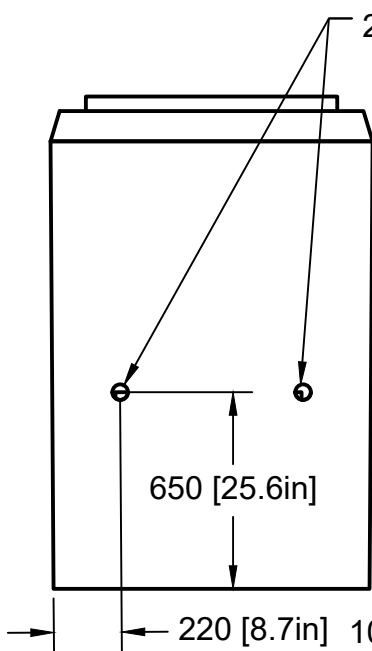
This is a non traffic-rated tank


# PLAN VIEW



# FRONT VIEW

# SIDE VIEW



<p>Date: 12/11/2017</p>	<p>#100 53251 RR232                  Sherwood Park, AB                  T8A 4V2</p>	<p>Type Cistern</p>		
		<p>p 780.472.8265                  f 780.478.5699                  tf 800.661.5667</p>	<p>Model C0750/T</p>	
<p>Earth Cover: 7'-9" (2.37m)</p>	<p>info@tanks-a-lot.com</p>	<p>Configuration 1 Piece - 1 Manhole</p>		
<p>Sheet Size: A (8.5"x11")</p>	<p>www.tanks-a-lot.com</p>	<p>Capacity: 750gal (3,400L)</p>		
<p>Drawn by: TN</p>		<p>Weight: 6,000lbs (2,722kg)</p>	<p>Revision: 3.0</p>	
		<p>Scale: 1:25</p>	<p>Sheet 1/1</p>	