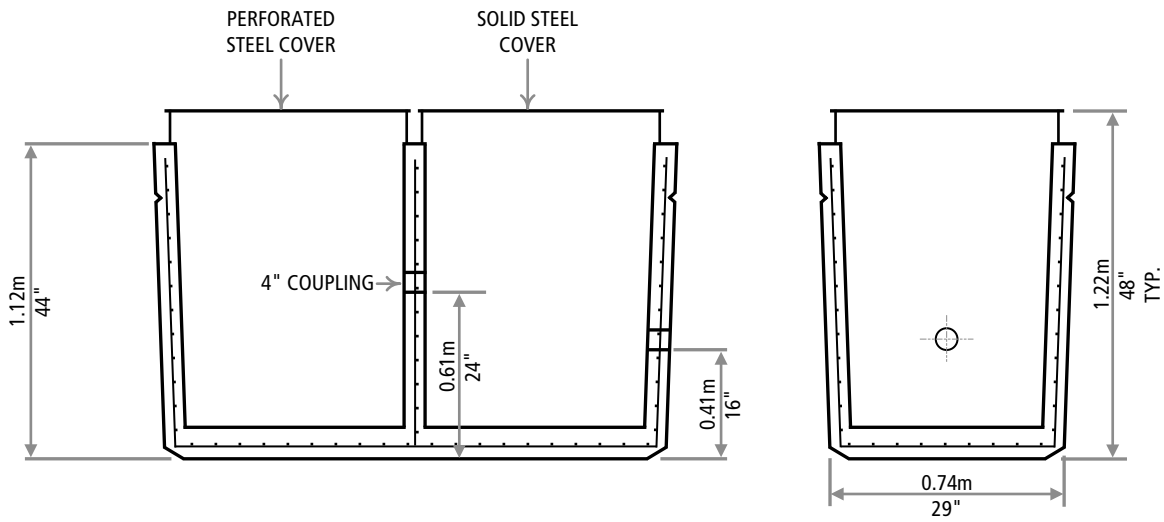


**TOP VIEW**



**SIDE VIEW**

**END VIEW**



1810 Yellowhead Trail N.E.  
Edmonton, AB T6S 1B4

p 780.472.8265  
f 780.478.5699  
tf 800.661.5667

info@tanks-a-lot.com  
www.tanks-a-lot.com

WEIGHT		GROSS/WORKING CAPACITY		EARTH COVER		
2,700 (lbs)		200 / 175 (gal)		N/A		
1,225 (kg)		909 / 796 (l)		N/A		
STEEL SURFACE 2-COMPARTMENT SUMP						
LENGTH		WIDTH		HEIGHT		REVISION
5'-1"	1.55m	2'-9"	0.64m	3'-8"	1.12m	2.0