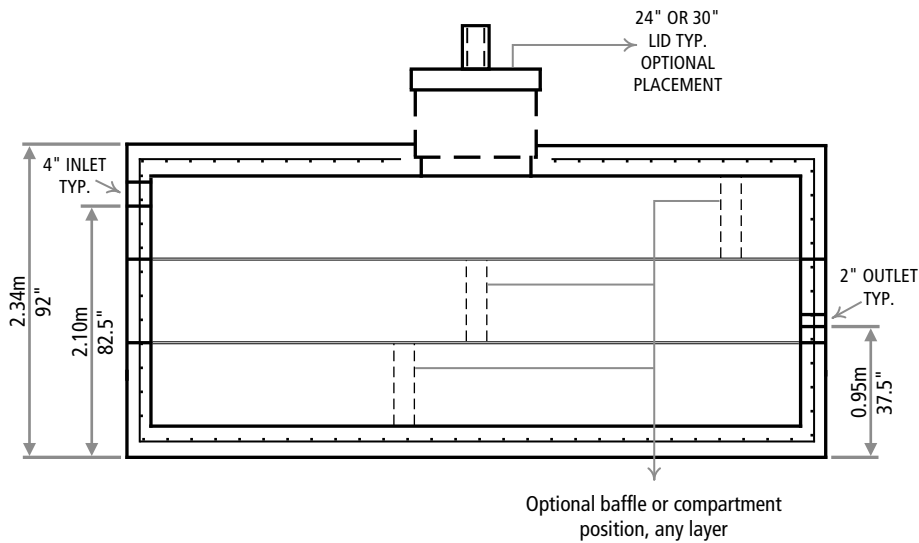


PLAN



SECTION A-A



1810 Yellowhead Trail N.E.
Edmonton, AB T6S 1B4

p 780.472.8265
f 780.478.5699
tf 800.661.5667

info@tanks-a-lot.com
www.tanks-a-lot.com

WEIGHT		GROSS CAPACITY		EARTH COVER		
26,000 (lbs)		4,000 (gal)		6'-6¾" (max)		
11,793 (kg)		18,184 (l)		2m (max)		
MODEL 400M						
3-PIECE TANK						
LENGTH		WIDTH		HEIGHT		REVISION
15'-8"	4.78m	6'-10"	2.08m	7'-8"	2.34m	2.0